



BUILT SYSTEMS

STANDARD PRICING

2020 MSRP PRICING

STANDARD PRICING 2020

BUILT Systems is the leading supplier of ergonomic manufacturing workstations and equipment.

We believe there shouldn't be a choice between the strength of fully-welded systems and the versatility of modular products. With BUILT Systems, companies can outfit their plants with rigid steel manufacturing workstations that are strong yet versatile, rugged yet exceptionally adjustable.

We have re-imagined manufacturing products to create better results in the plant: fewer injuries, faster reconfigurations on the plant floor, smoother workflows, better integration of Industrial IOT, and a stronger return on investment.

This catalog depicts our pricing for all of our standard product line. For pricing on custom orders, please contact our sales team at 616-795-4569 or info@builtsystems.net. Prices and part numbers are subject to change at any time.

TABLE OF CONTENTS

How To Order	4-5
Assembly Tables	6-17
Workbenches	18-21
Pedestal Bases	22
Machine Bases	23
Material Handling	24
Weld Tables	25
Ergonomic Seating	26
Whiteboards	26
Service Parts	27
Retrofit Kit	27
Colors	28
Custom Worksurface Options	29
Warranty	30-31

HOW TO ORDER

1. Choose your base.

All products in this catalog are ready-to-order part numbers. If you are purchasing an Assembly Table or a Pedestal Base, you must follow the steps below to include in your PO.

2. Choose between casters or mighty mounts.

Every Assembly Table and Pedestal Base must come with either casters or mighty mounts. Please include the part number for your preferred option in your PO.

3. Choose your worksurface.

Our Assembly Tables, Pedestal Bases, and Workbenches have the option of adding a worksurface. Select from our 5 standard worksurfaces and include the corresponding part number in your PO.

4. Choose your accessories.

Our Assembly Tables, Pedestal Bases, and Workbenches all have the option to add on a lightframe to the base. If selecting to purchase a lightframe with your product, please include the corresponding part number in your PO along with any additional accessory part numbers.

5. Choose your color.

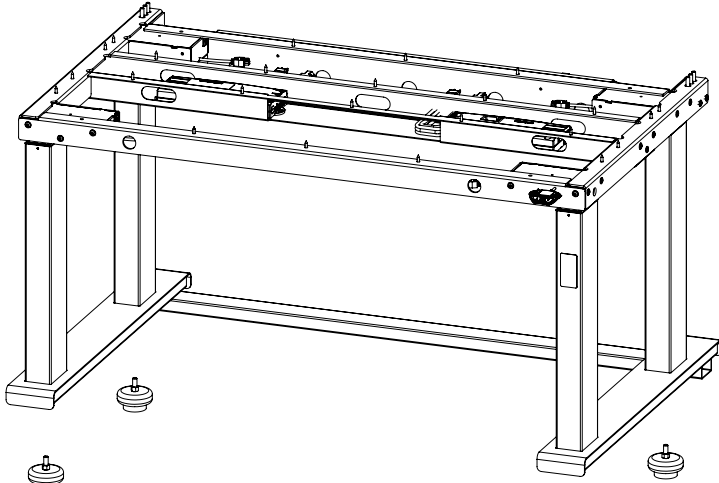
We offer three color options for our standard product line, white, black, and metallic silver. Please include the color code of your choice in your PO which can be found on page 28.

6. Choose your quantity.

Please include the desired quantity of your configuration in your PO.

For more information on standard product orders, please contact our sales team at 616-795-4569 or info@builtsystems.net.

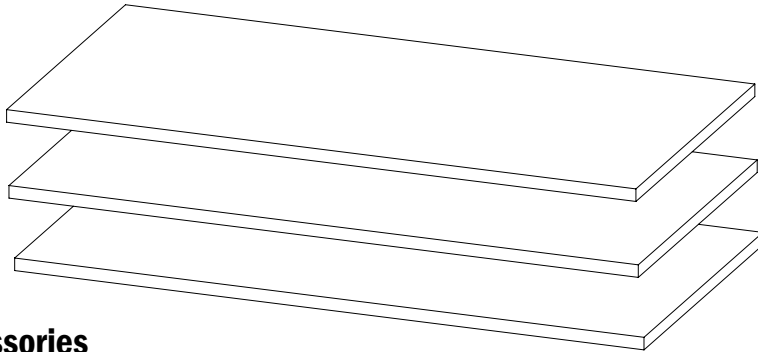
1. Base



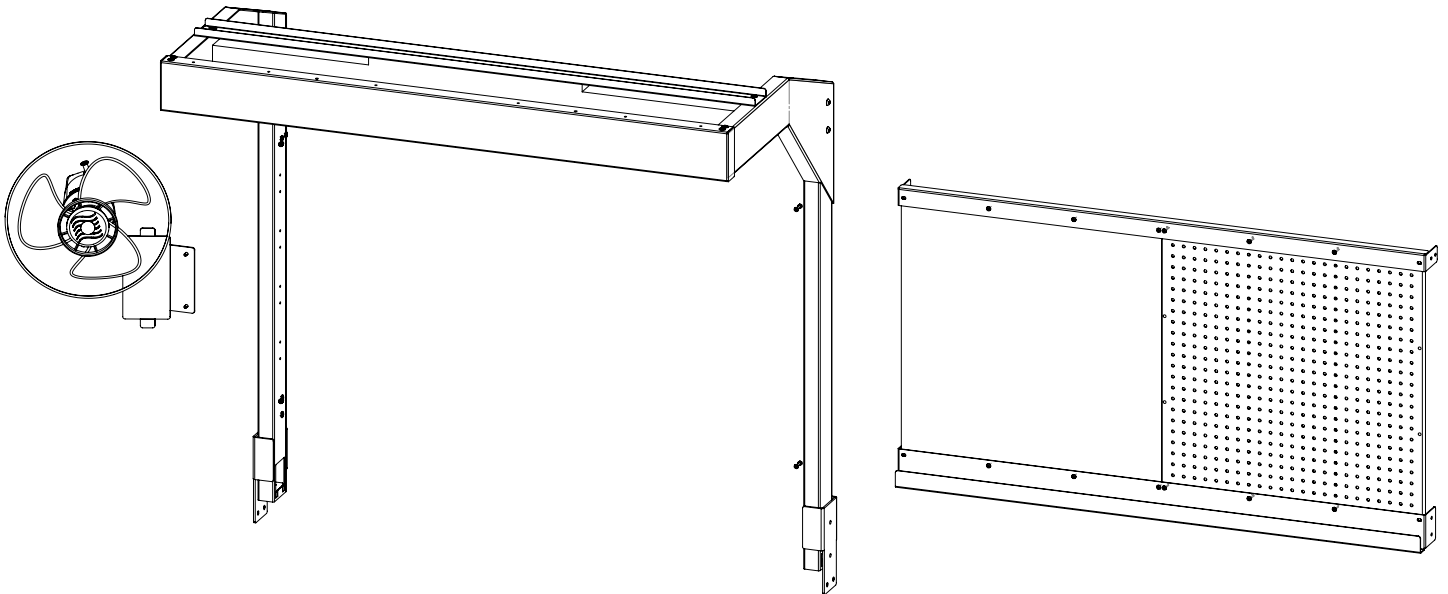
2. Feet



3. Worksurface



4. Accessories



ASSEMBLY TABLE ELECTRIC 150

BASE

Type	Size	Part Number
ATE150	30x30	46893
ATE150	36x30	46893
ATE150	48x30	46726
ATE150	60x30	46727
ATE150	72x30	46728

CASTERS & MIGHTY MOUNTS

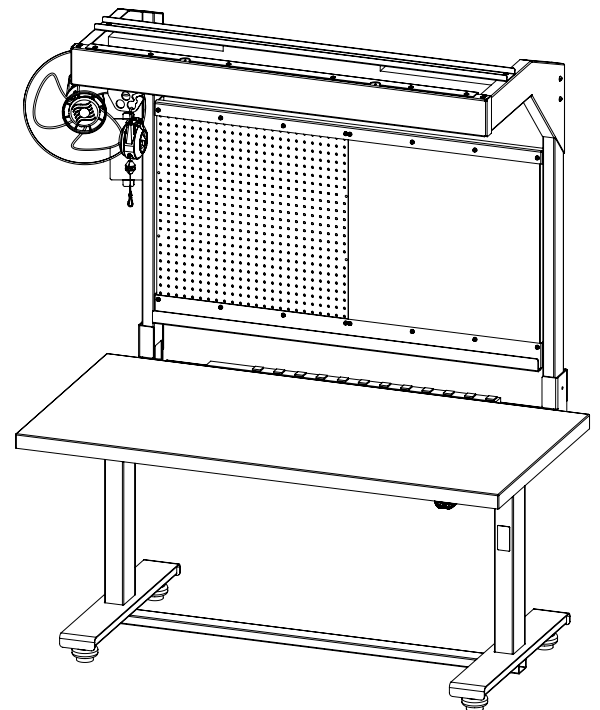
Type	Size	Part Number
3in Mighty Mounts	3in	46835
5in Caster, 2 Rigid, 2 Swivel	5in	46846
5in Caster, 4 Swivel	5in	46938

WORK SURFACES

Type	Size	Part Number
Butcher Block Top	30x30	46933
Butcher Block Top	36x30	46934
Butcher Block Top	48x30	46848
Butcher Block Top	60x30	46850
Butcher Block Top	72x30	46852
HPL White Black Edgeband	30x30	46927
HPL White Black Edgeband	36x30	46928
HPL White Black Edgeband	48x30	46855
HPL White Black Edgeband	60x30	46857
HPL White Black Edgeband	72x30	46859
HPL Black Black Edgeband	30x30	46929
HPL Black Black Edgeband	36x30	46930
HPL Black Black Edgeband	48x30	46862
HPL Black Black Edgeband	60x30	46864
HPL Black Black Edgeband	72x30	46866
HPL Grey Nebula Black Edgeband	30x30	46931
HPL Grey Nebula Black Edgeband	36x30	46932
HPL Grey Nebula Black Edgeband	48x30	46869
HPL Grey Nebula Black Edgeband	60x30	46871
HPL Grey Nebula Black Edgeband	72x30	46873
ESD White White Edgeband	30x30	46935
ESD White White Edgeband	36x30	46936
ESD White White Edgeband	48x30	46916
ESD White White Edgeband	60x30	46918
ESD White White Edgeband	72x30	46920

ACCESSORIES

Type	Size	Part Number
Lightframe with LED	36in	46892
Lightframe with LED	48in	46735
Lightframe with LED	60in	46736
Lightframe with LED	72in	46737
Tool Balancer Kit	36in	46922
Tool Balancer Kit	48in	46738
Tool Balancer Kit	60in	46739
Tool Balancer Kit	72in	46740
Pegboard Kit	36in	46923
Pegboard Kit	48in	46741
Pegboard Kit	60in	46742
Pegboard Kit	72in	46743
Whiteboard Kit	36in	46924
Whiteboard Kit	48in	46744
Whiteboard Kit	60in	46745
Whiteboard Kit	72in	46746
WB & PB Kit	60in	46747
WB & PB Kit	72in	46748
Powerstrip	6 outlet	46749
Powerstrip	8 outlet	46750
Powerstrip	12 outlet	46751
Tool Bin Bracket	36in	46925
Tool Bin Bracket	48in	46752
Tool Bin Bracket	60in	46753
Tool Bin Bracket	72in	46754
Ergo Arm	Monitor & Keyboard	46755
Ergo Arm	Monitor	46756
Ergo Arm	Keyboard	46757
Ergo Arm	Tool Bins	46758
Ergo Arm	Dual Monitor	46759
Ergo Arm	Tray	46760
Ergo Arm	Basic Monitor Arm	46926
Fan Kit	Fan with Bracket	46761
Tool Trolley	Tool Trolley	46762
Akro Bin	Small 5-1/2x4x3	46763
Akro Bin	Large 11x5-1/2x5	46764
Lightswitch	-	46914



ASSEMBLY TABLE CRANK 150

BASE

Type	Size	Part Number
ATC150	48x30	46732
ATC150	60x30	46733
ATC150	72x30	46734

CASTERS & MIGHTY MOUNTS

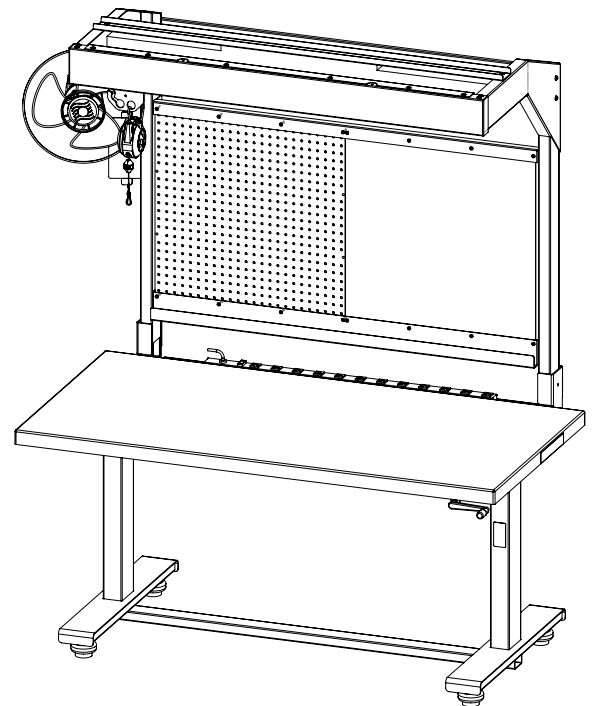
Type	Size	Part Number
3in Mighty Mounts	3in	46835
5in Caster, 2 Rigid, 2 Swivel	5in	46846
5in Caster, 4 Swivel	5in	46938

WORK SURFACES

Type	Size	Part Number
Butcher Block Top	48x30	46848
Butcher Block Top	60x30	46850
Butcher Block Top	72x30	46852
HPL White Black Edgeband	48x30	46855
HPL White Black Edgeband	60x30	46857
HPL White Black Edgeband	72x30	46859
HPL Black Black Edgeband	48x30	46862
HPL Black Black Edgeband	60x30	46864
HPL Black Black Edgeband	72x30	46866
HPL Grey Nebula Black Edgeband	48x30	46869
HPL Grey Nebula Black Edgeband	60x30	46871
HPL Grey Nebula Black Edgeband	72x30	46873
ESD White White Edgeband	48x30	46916
ESD White White Edgeband	60x30	46918
ESD White White Edgeband	72x30	46920

ACCESSORIES

Type	Size	Part Number
Lightframe with LED	48in	46735
Lightframe with LED	60in	46736
Lightframe with LED	72in	46737
Tool Balancer Kit	48in	46738
Tool Balancer Kit	60in	46739
Tool Balancer Kit	72in	46740
Pegboard Kit	48in	46741
Pegboard Kit	60in	46742
Pegboard Kit	72in	46743
Whiteboard Kit	48in	46744
Whiteboard Kit	60in	46745
Whiteboard Kit	72in	46746
WB & PB Kit	60in	46747
WB & PB Kit	72in	46748
Powerstrip	6 outlet	46749
Powerstrip	8 outlet	46750
Powerstrip	12 outlet	46751
Tool Bin Bracket	48in	46752
Tool Bin Bracket	60in	46753
Tool Bin Bracket	72in	46754
Ergo Arm	Monitor & Keyboard	46755
Ergo Arm	Monitor	46756
Ergo Arm	Keyboard	46757
Ergo Arm	Tool Bins	46758
Ergo Arm	Dual Monitor	46759
Ergo Arm	Tray	46760
Ergo Arm	Basic Monitor Arm	46926
Fan Kit	Fan with Bracket	46761
Tool Trolley	Tool Trolley	46762
Akro Bin	Small 5-1/2x4x3	46763
Akro Bin	Large 11x5-1/2x5	46764
Lightswitch	-	46914



ASSEMBLY TABLE FIXED 150

BASE

Type	Size	Part Number
ATF150	48x30	46886
ATF150	60x30	46887
ATF150	72x30	46888

CASTERS & MIGHTY MOUNTS

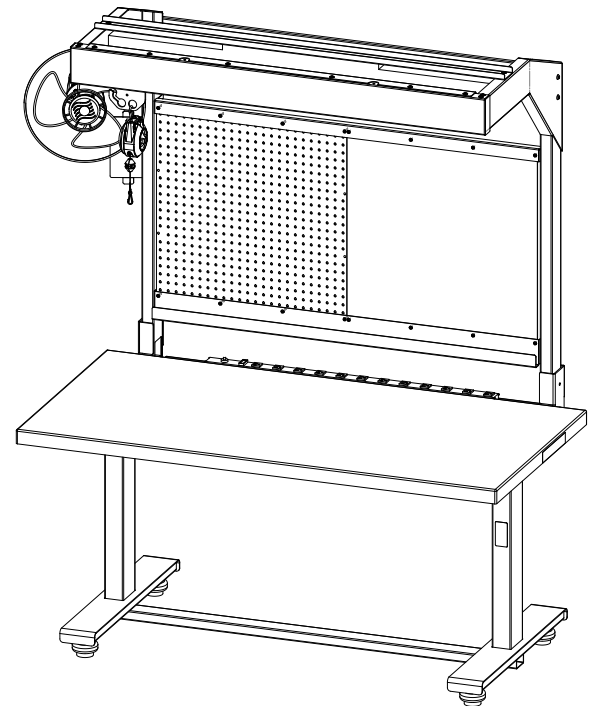
Type	Size	Part Number
3in Mighty Mounts	3in	46835
5in Caster, 2 Rigid, 2 Swivel	5in	46846
5in Caster, 4 Swivel	5in	46938

WORK SURFACES

Type	Size	Part Number
Butcher Block Top	48x30	46848
Butcher Block Top	60x30	46850
Butcher Block Top	72x30	46852
HPL White Black Edgeband	48x30	46855
HPL White Black Edgeband	60x30	46857
HPL White Black Edgeband	72x30	46859
HPL Black Black Edgeband	48x30	46862
HPL Black Black Edgeband	60x30	46864
HPL Black Black Edgeband	72x30	46866
HPL Grey Nebula Black Edgeband	48x30	46869
HPL Grey Nebula Black Edgeband	60x30	46871
HPL Grey Nebula Black Edgeband	72x30	46873
ESD White White Edgeband	48x30	46916
ESD White White Edgeband	60x30	46918
ESD White White Edgeband	72x30	46920

ACCESSORIES

Type	Size	Part Number
Lightframe with LED	48in	46735
Lightframe with LED	60in	46736
Lightframe with LED	72in	46737
Tool Balancer Kit	48in	46738
Tool Balancer Kit	60in	46739
Tool Balancer Kit	72in	46740
Pegboard Kit	48in	46741
Pegboard Kit	60in	46742
Pegboard Kit	72in	46743
Whiteboard Kit	48in	46744
Whiteboard Kit	60in	46745
Whiteboard Kit	72in	46746
WB & PB Kit	60in	46747
WB & PB Kit	72in	46748
Powerstrip	6 outlet	46749
Powerstrip	8 outlet	46750
Powerstrip	12 outlet	46751
Tool Bin Bracket	48in	46752
Tool Bin Bracket	60in	46753
Tool Bin Bracket	72in	46754
Ergo Arm	Monitor & Keyboard	46755
Ergo Arm	Monitor	46756
Ergo Arm	Keyboard	46757
Ergo Arm	Tool Bins	46758
Ergo Arm	Dual Monitor	46759
Ergo Arm	Tray	46760
Ergo Arm	Basic Monitor Arm	46926
Fan Kit	Fan with Bracket	46761
Tool Trolley	Tool Trolley	46762
Akro Bin	Small 5-1/2x4x3	46763
Akro Bin	Large 11x5-1/2x5	46764
Lightswitch	-	46914



ASSEMBLY TABLE ELECTRIC 400

BASE

Type	Size	Part Number
ATE400	30x30	46895
ATE400	36x30	46895
ATE400	48x30	46729
ATE400	60x30	46730
ATE400	72x30	46731

CASTERS & MIGHTY MOUNTS

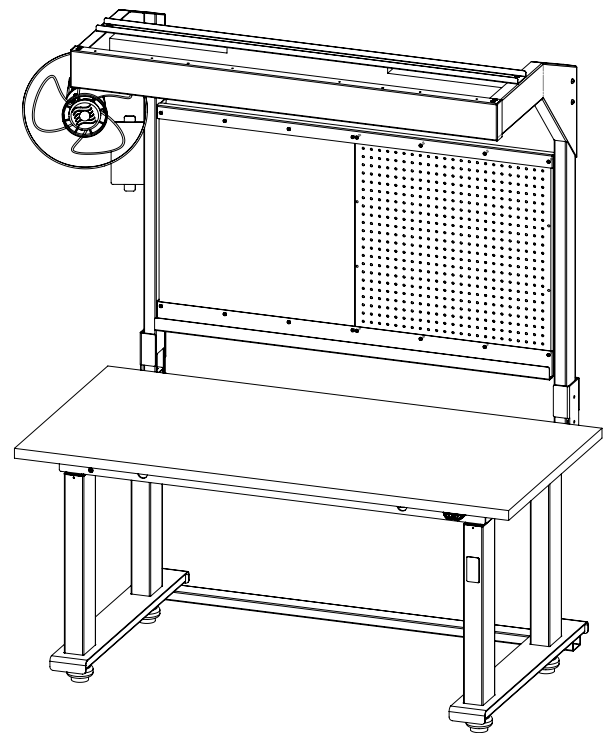
Type	Size	Part Number
3in Mighty Mounts	3in	46835
5in Caster, 2 Rigid, 2 Swivel	5in	46846
5in Caster, 4 Swivel	5in	46938

WORK SURFACES

Type	Size	Part Number
Butcher Block Top	30x30	46933
Butcher Block Top	36x30	46934
Butcher Block Top	48x30	46848
Butcher Block Top	60x30	46850
Butcher Block Top	72x30	46852
HPL White Black Edgeband	30x30	46927
HPL White Black Edgeband	36x30	46928
HPL White Black Edgeband	48x30	46855
HPL White Black Edgeband	60x30	46857
HPL White Black Edgeband	72x30	46859
HPL Black Black Edgeband	30x30	46929
HPL Black Black Edgeband	36x30	46930
HPL Black Black Edgeband	48x30	46862
HPL Black Black Edgeband	60x30	46864
HPL Black Black Edgeband	72x30	46866
HPL Grey Nebula Black Edgeband	30x30	46931
HPL Grey Nebula Black Edgeband	36x30	46932
HPL Grey Nebula Black Edgeband	48x30	46869
HPL Grey Nebula Black Edgeband	60x30	46871
HPL Grey Nebula Black Edgeband	72x30	46873
ESD White White Edgeband	30x30	46935
ESD White White Edgeband	36x30	46936
ESD White White Edgeband	48x30	46916
ESD White White Edgeband	60x30	46918
ESD White White Edgeband	72x30	46920

ACCESSORIES

Type	Size	Part Number
Lightframe with LED	36in	46892
Lightframe with LED	48in	46735
Lightframe with LED	60in	46736
Lightframe with LED	72in	46737
Tool Balancer Kit	36in	46922
Tool Balancer Kit	48in	46738
Tool Balancer Kit	60in	46739
Tool Balancer Kit	72in	46740
Pegboard Kit	36in	46923
Pegboard Kit	48in	46741
Pegboard Kit	60in	46742
Pegboard Kit	72in	46743
Whiteboard Kit	36in	46924
Whiteboard Kit	48in	46744
Whiteboard Kit	60in	46745
Whiteboard Kit	72in	46746
WB & PB Kit	60in	46747
WB & PB Kit	72in	46748
Powerstrip	6 outlet	46749
Powerstrip	8 outlet	46750
Powerstrip	12 outlet	46751
Tool Bin Bracket	36in	46925
Tool Bin Bracket	48in	46752
Tool Bin Bracket	60in	46753
Tool Bin Bracket	72in	46754
Ergo Arm	Monitor & Keyboard	46755
Ergo Arm	Monitor	46756
Ergo Arm	Keyboard	46757
Ergo Arm	Tool Bins	46758
Ergo Arm	Dual Monitor	46759
Ergo Arm	Tray	46760
Ergo Arm	Basic Monitor Arm	46926
Fan Kit	Fan with Bracket	46761
Tool Trolley	Tool Trolley	46762
Akro Bin	Small 5-1/2x4x3	46763
Akro Bin	Large 11x5-1/2x5	46764
Lightswitch	-	46914



ASSEMBLY TABLE FIXED 400

BASE

Type	Size	Part Number
ATF400	48x30	46889
ATF400	60x30	46890
ATF400	72x30	46891

CASTERS & MIGHTY MOUNTS

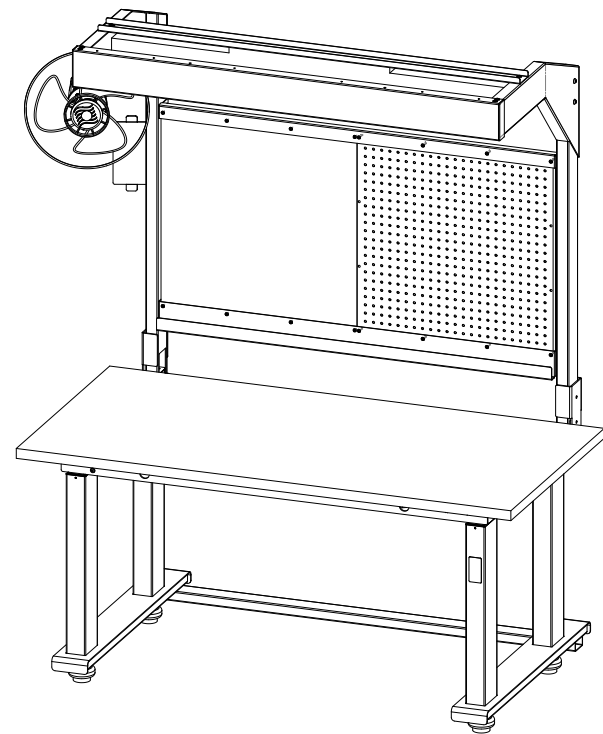
Type	Size	Part Number
3in Mighty Mounts	3in	46835
5in Caster, 2 Rigid, 2 Swivel	5in	46846
5in Caster, 4 Swivel	5in	46938

WORK SURFACES

Type	Size	Part Number
Butcher Block Top	48x30	46848
Butcher Block Top	60x30	46850
Butcher Block Top	72x30	46852
HPL White Black Edgeband	48x30	46855
HPL White Black Edgeband	60x30	46857
HPL White Black Edgeband	72x30	46859
HPL Black Black Edgeband	48x30	46862
HPL Black Black Edgeband	60x30	46864
HPL Black Black Edgeband	72x30	46866
HPL Grey Nebula Black Edgeband	48x30	46869
HPL Grey Nebula Black Edgeband	60x30	46871
HPL Grey Nebula Black Edgeband	72x30	46873
ESD White White Edgeband	48x30	46916
ESD White White Edgeband	60x30	46918
ESD White White Edgeband	72x30	46920

ACCESSORIES

Type	Size	Part Number
Lightframe with LED	48in	46735
Lightframe with LED	60in	46736
Lightframe with LED	72in	46737
Tool Balancer Kit	48in	46738
Tool Balancer Kit	60in	46739
Tool Balancer Kit	72in	46740
Pegboard Kit	48in	46741
Pegboard Kit	60in	46742
Pegboard Kit	72in	46743
Whiteboard Kit	48in	46744
Whiteboard Kit	60in	46745
Whiteboard Kit	72in	46746
WB & PB Kit	60in	46747
WB & PB Kit	72in	46748
Powerstrip	6 outlet	46749
Powerstrip	8 outlet	46750
Powerstrip	12 outlet	46751
Tool Bin Bracket	48in	46752
Tool Bin Bracket	60in	46753
Tool Bin Bracket	72in	46754
Ergo Arm	Monitor & Keyboard	46755
Ergo Arm	Monitor	46756
Ergo Arm	Keyboard	46757
Ergo Arm	Tool Bins	46758
Ergo Arm	Dual Monitor	46759
Ergo Arm	Tray	46760
Ergo Arm	Basic Monitor Arm	46926
Fan Kit	Fan with Bracket	46761
Tool Trolley	Tool Trolley	46762
Akro Bin	Small 5-1/2x4x3	46763
Akro Bin	Large 11x5-1/2x5	46764
Lightswitch	-	46914



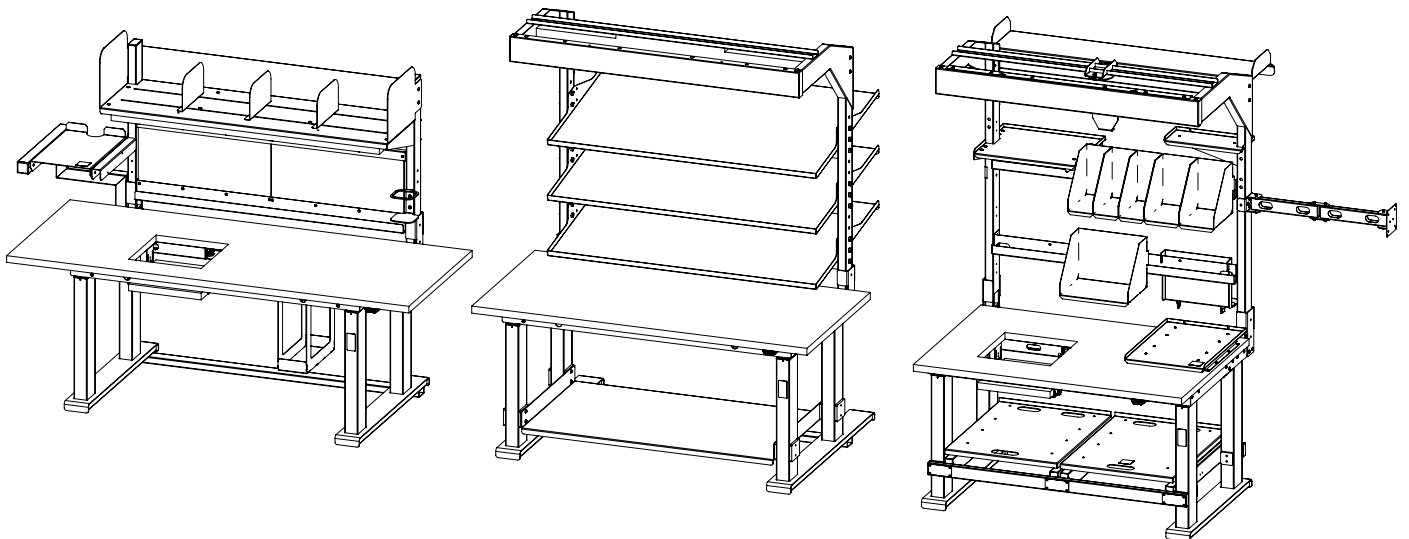
PRE CONFIGURED ASSEMBLY TABLES

BASE

Type	Size	Part Number
Packaging Station	72x30	46896
ATE400 Flowracks	60x30	46897
Virtual Workstation	60x30	46898
Scale Workstation	48x32	46899

CASTERS & MIGHTY MOUNTS

Type	Size	Part Number
3in Mighty Mounts	3in	46835
5in Caster, 2 Rigid, 2 Swivel	5in	46846
5in Caster, 4 Swivel	5in	46938



ADDITIONAL TABLE ACCESSORIES

Type	Size	Part Number
Lightframe with LED	36in	46892
Lightframe with LED	48in	46735
Lightframe with LED	60in	46736
Lightframe with LED	72in	46737
Tool Balancer Kit	36in	46922
Tool Balancer Kit	48in	46738
Tool Balancer Kit	60in	46739
Tool Balancer Kit	72in	46740
Pegboard Kit	36in	46923
Pegboard Kit	48in	46741
Pegboard Kit	60in	46742
Pegboard Kit	72in	46743
Whiteboard Kit	36in	46924
Whiteboard Kit	48in	46744
Whiteboard Kit	60in	46745
Whiteboard Kit	72in	46746
WB & PB Kit	60in	46747
WB & PB Kit	72in	46748
Powerstrip	6 outlet	46749
Powerstrip	8 outlet	46750
Powerstrip	12 outlet	46751
Tool Bin Bracket	36in	46925
Tool Bin Bracket	48in	46752
Tool Bin Bracket	60in	46753
Tool Bin Bracket	72in	46754
Ergo Arm	Monitor & Keyboard	46755
Ergo Arm	Monitor	46756
Ergo Arm	Keyboard	46757
Ergo Arm	Tool Bins	46758
Ergo Arm	Dual Monitor	46759
Ergo Arm	Tray	46760
Ergo Arm	Basic Monitor Arm	46926
Fan Kit	Fan with Bracket	46761
Tool Trolley	Tool Trolley	46762
Akro Bin	Small 5-1/2x4x3	46763
Akro Bin	Large 11x5-1/2x5	46764
Lightswitch	-	46914

WORKBENCH 1000

BASE

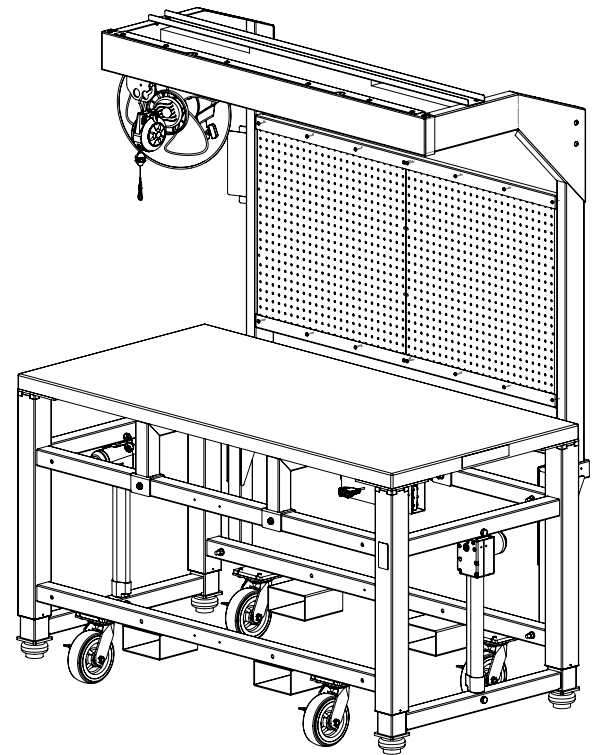
Type	Size	Part Number
WKB1000	48x30	46769
WKB1000	60x30	46770
WKB1000	72x30	46771
WKB1000	48x36	46772
WKB1000	60x36	46773
WKB1000	72x36	46774

WORK SURFACES

Type	Size	Part Number
Butcher Block Top	48x30	46848
Butcher Block Top	48x36	46849
Butcher Block Top	60x30	46850
Butcher Block Top	60x36	46851
Butcher Block Top	72x30	46852
Butcher Block Top	72x36	46853
HPL White Black Edgeband	48x30	46855
HPL White Black Edgeband	48x36	46856
HPL White Black Edgeband	60x30	46857
HPL White Black Edgeband	60x36	46858
HPL White Black Edgeband	72x30	46859
HPL White Black Edgeband	72x36	46860
HPL Black Black Edgeband	48x30	46862
HPL Black Black Edgeband	48x36	46863
HPL Black Black Edgeband	60x30	46864
HPL Black Black Edgeband	60x36	46865
HPL Black Black Edgeband	72x30	46866
HPL Black Black Edgeband	72x36	46867
HPL Grey Nebula Black Edgeband	48x30	46869
HPL Grey Nebula Black Edgeband	48x36	46870
HPL Grey Nebula Black Edgeband	60x30	46871
HPL Grey Nebula Black Edgeband	60x36	46872
HPL Grey Nebula Black Edgeband	72x30	46873
HPL Grey Nebula Black Edgeband	72x36	46874
ESD White White Edgeband	48x30	46916
ESD White White Edgeband	48x36	46917
ESD White White Edgeband	60x30	46918
ESD White White Edgeband	60x36	46919
ESD White White Edgeband	72x30	46920
ESD White White Edgeband	72x36	46921

ACCESSORIES

Type	Size	Part Number
Lightframe with LED	48in	46735
Lightframe with LED	60in	46736
Lightframe with LED	72in	46737
Tool Balancer Kit	48in	46738
Tool Balancer Kit	60in	46739
Tool Balancer Kit	72in	46740
Pegboard Kit	48in	46741
Pegboard Kit	60in	46742
Pegboard Kit	72in	46743
Whiteboard Kit	48in	46744
Whiteboard Kit	60in	46745
Whiteboard Kit	72in	46746
WB & PB Kit	60in	46747
WB & PB Kit	72in	46748
Powerstrip	6 outlet	46749
Powerstrip	8 outlet	46750
Powerstrip	12 outlet	46751
Tool Bin Bracket	48in	46752
Tool Bin Bracket	60in	46753
Tool Bin Bracket	72in	46754
Ergo Arm	Monitor & Keyboard	46755
Ergo Arm	Monitor	46756
Ergo Arm	Keyboard	46757
Ergo Arm	Tool Bins	46758
Ergo Arm	Dual Monitor	46759
Ergo Arm	Tray	46760
Ergo Arm	Basic Monitor Arm	46926
Fan Kit	Fan with Bracket	46761
Tool Trolley	Tool Trolley	46762
Akro Bin	Small 5-1/2x4x3	46763
Akro Bin	Large 11x5-1/2x5	46764
Lightswitch	-	46914



WORKBENCH 3000

BASE

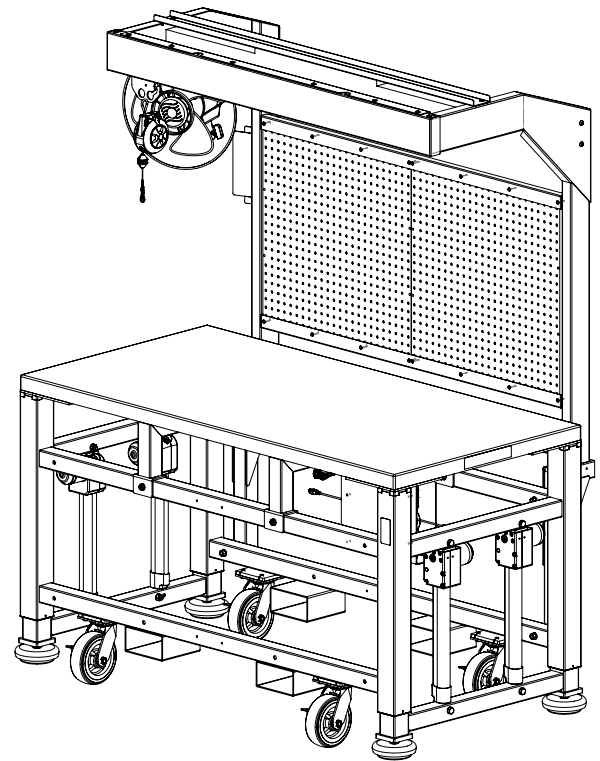
Type	Size	Part Number
WKB3000	48x30	46775
WKB3000	60x30	46776
WKB3000	72x30	46777
WKB3000	48x36	46778
WKB3000	60x36	46779
WKB3000	72x36	46780

WORK SURFACES

Type	Size	Part Number
Butcher Block Top	48x30	46848
Butcher Block Top	48x36	46849
Butcher Block Top	60x30	46850
Butcher Block Top	60x36	46851
Butcher Block Top	72x30	46852
Butcher Block Top	72x36	46853
HPL White Black Edgeband	48x30	46855
HPL White Black Edgeband	48x36	46856
HPL White Black Edgeband	60x30	46857
HPL White Black Edgeband	60x36	46858
HPL White Black Edgeband	72x30	46859
HPL White Black Edgeband	72x36	46860
HPL Black Black Edgeband	48x30	46862
HPL Black Black Edgeband	48x36	46863
HPL Black Black Edgeband	60x30	46864
HPL Black Black Edgeband	60x36	46865
HPL Black Black Edgeband	72x30	46866
HPL Black Black Edgeband	72x36	46867
HPL Grey Nebula Black Edgeband	48x30	46869
HPL Grey Nebula Black Edgeband	48x36	46870
HPL Grey Nebula Black Edgeband	60x30	46871
HPL Grey Nebula Black Edgeband	60x36	46872
HPL Grey Nebula Black Edgeband	72x30	46873
HPL Grey Nebula Black Edgeband	72x36	46874
ESD White White Edgeband	48x30	46916
ESD White White Edgeband	48x36	46917
ESD White White Edgeband	60x30	46918
ESD White White Edgeband	60x36	46919
ESD White White Edgeband	72x30	46920
ESD White White Edgeband	72x36	46921

ACCESSORIES

Type	Size	Part Number
Lightframe with LED	48in	46735
Lightframe with LED	60in	46736
Lightframe with LED	72in	46737
Tool Balancer Kit	48in	46738
Tool Balancer Kit	60in	46739
Tool Balancer Kit	72in	46740
Pegboard Kit	48in	46741
Pegboard Kit	60in	46742
Pegboard Kit	72in	46743
Whiteboard Kit	48in	46744
Whiteboard Kit	60in	46745
Whiteboard Kit	72in	46746
WB & PB Kit	60in	46747
WB & PB Kit	72in	46748
Powerstrip	6 outlet	46749
Powerstrip	8 outlet	46750
Powerstrip	12 outlet	46751
Tool Bin Bracket	48in	46752
Tool Bin Bracket	60in	46753
Tool Bin Bracket	72in	46754
Ergo Arm	Monitor & Keyboard	46755
Ergo Arm	Monitor	46756
Ergo Arm	Keyboard	46757
Ergo Arm	Tool Bins	46758
Ergo Arm	Dual Monitor	46759
Ergo Arm	Tray	46760
Ergo Arm	Basic Monitor Arm	46926
Fan Kit	Fan with Bracket	46761
Tool Trolley	Tool Trolley	46762
Akro Bin	Small 5-1/2x4x3	46763
Akro Bin	Large 11x5-1/2x5	46764
Lightswitch	-	46914



PEDESTAL BASES

BASE

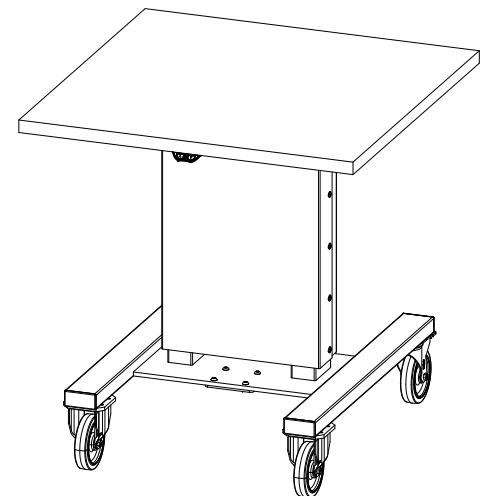
Type	Size	Part Number
PBE150	24x24	46765
PBC150	24x24	46766
PBE250	24x24	46900

CASTERS & MIGHTY MOUNTS

Type	Size	Part Number
3in Mighty Mounts	3in	46835
5in Caster, 2 Rigid, 2 Swivel	5in	46846
5in Caster, 4 Swivel	5in	46938

WORK SURFACES

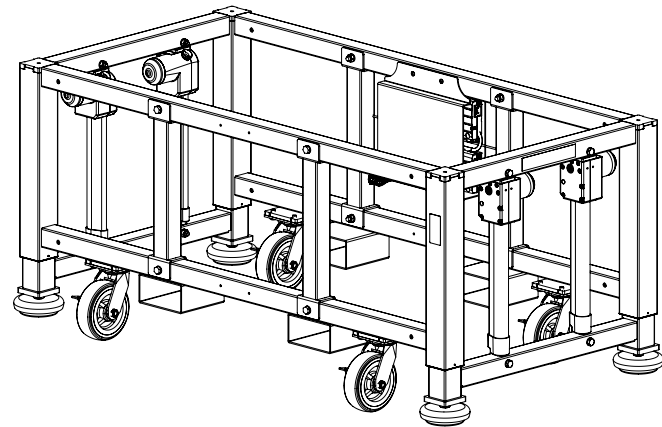
Type	Size	Part Number
Butcher Block Top	24x24	46847
HPL White Black Edgeband	24x24	46854
HPL Black Black Edgeband	24x24	46861
HPL Grey Nebula Black Edgeband	24x24	46868
ESD White	24x24	46915



MACHINE BASES

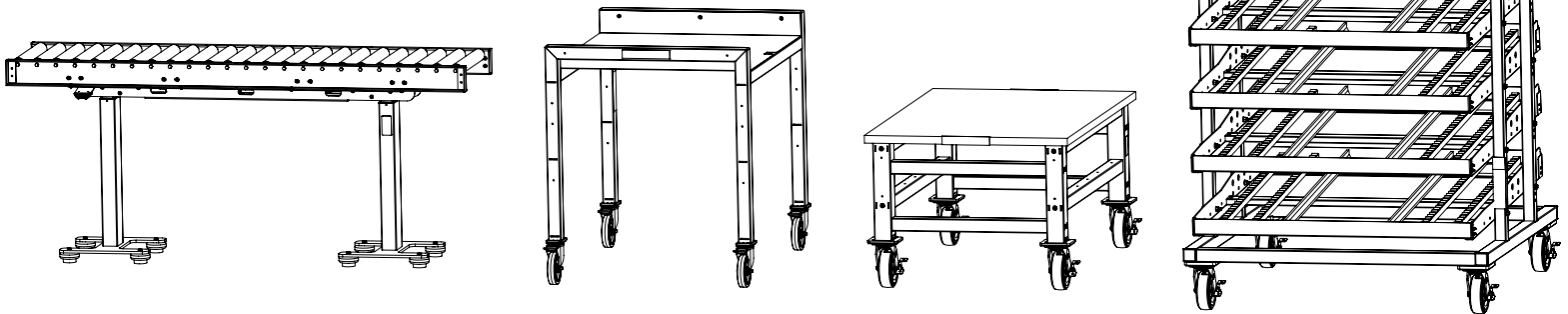
Type	Size	Part Number
MB800	24x30	46700
MB800	36x30	46701
MB800 16	24x30	46884
MB800 16	36x30	46885
MB1200	48x24	46875
MB1200	60x24	46702
MB1200	72x24	46703
MB1200	84x24	46704
MB1200	48x30	46876
MB1200	60x30	46705
MB1200	72x30	46706
MB1200	84x30	46707
MB1200	48x36	46877
MB1200	60x36	46878
MB1200	72x36	46879
MB1200	84x36	46880
MB3500	48x30	46881
MB3500	60x30	46708
MB3500	72x30	46709
MB3500	84x30	46710
MB3500	48x36	46882
MB3500	60x36	46711
MB3500	72x36	46712
MB3500	84x36	46713
MB3500	48x42	46883
MB3500	60x42	46714
MB3500	72x42	46715
MB3500	84x42	46716
MB6500	60x30	46717
MB6500	72x30	46718
MB6500	84x30	46719
MB6500	60x36	46720
MB6500	72x36	46721
MB6500	84x36	46722
MB6500	60x42	46723
MB6500	72x42	46724
MB6500	84x42	46725

*8 Day Standard Lead Time



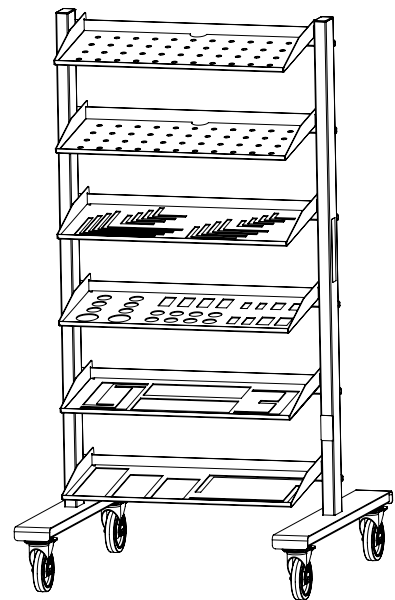
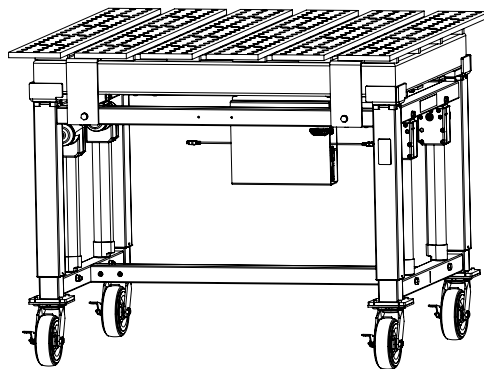
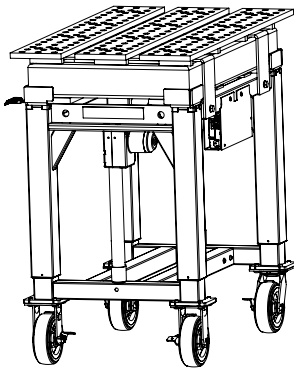
MATERIAL HANDLING

Type	Size	Part Number
K Cart Pin Adjustable	18x32	46805
K Cart Electric	18x32	46806
MHC500 Top Shelf	32x24	46807
MHC500 Top Shelf	32x36	46808
MHC500 2 Shelf	32x24	46809
FHC500	32x48	46811
FHC500	40x76	46812
Kaizen Cart	32x24	46813
Kaizen Cart	32x36	46814
Corrugated Cart		46795
Tugger Cart Standard	50x60	46810
Tugger Cart Rotating	50x72	46902
Printer Cart		46903
CNC Cart		46904
5S Cart		46815
Conveyor	60x18	46816
Conveyor	72x18	46817
Conveyor	84x18	46818
HD Roller Conveyor	84x30	46793
HD Roller Conveyor	84x36	46795
Tilt Cart	48x32	46819
Flow Rack	48x48	46820
Flow Rack Over Conveyor		46905
Fixed Height Flow Rack		46906
Programming Cart	36x18.5	46907
Part Presentation Lift		46821



WELD TABLES

Type	Size	Part Number
WT1000	38x22	46822
WT3000	47x46	46823
WT3000	78x46	46824
WT3000	94x46	46825
WT3000 MAXX	94x46	46894
Tool Set Cart	-	46826
80 Piece Tool Set	-	46828
120 Piece Tool Set	-	46829

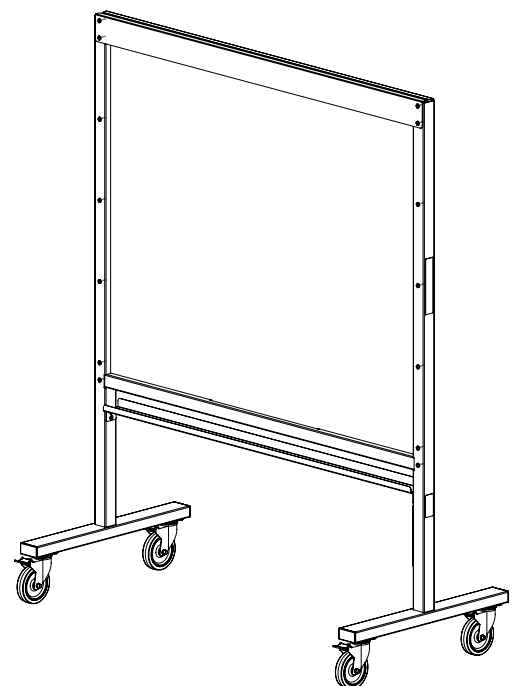


ERGONOMIC SEATING

Type	Size	Part Number
MOGO	-	46784
Mobis	-	46785
Pivot	-	46786
Foot Rest	-	46787

WHITE BOARDS

Type	Size	Part Number
Dual Whiteboard	30x36	46788
Dual Whiteboard	36x48	46789
Dual Whiteboard	48x48	46790
Dual Whiteboard	60x48	46791
Dual Whiteboard	72x48	46792
Single Whiteboard	30x36	46796
Single Whiteboard	36x36	46797
Single Whiteboard	48x36	46798
Single Whiteboard	48x48	46799
Single Whiteboard	60x48	46800
Single Whiteboard	72x48	46801
Single Whiteboard	84x48	46802
Single Whiteboard	96x48	46803
4 Sided Whiteboard	18x48	46804



SERVICE PARTS


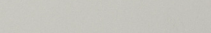
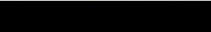
Type	Size	Part Number
ATE150 Controls	-	46908
ATE400 Controls	-	46909
MB3500 Controls	-	46830
MB1200 Controls	-	46831
MB1200 Controls with Programmable Handswitch	-	46832
Dual Actuator Kit	8in	46910
Dual Actuator Kit	12in	46833
Dual Actuator Kit	16in	46911
Single Actuator Kit	8in	46912
Single Actuator Kit	12in	46834
Single Actuator Kit	16in	46913
3in Mighty Mounts	3in	46835
5in Mighty Mounts	5in	46836
Clever Column	-	46837
Clever Control Box	-	46838
Up/Down Switch	-	46839
Programmable Switch	-	46840
Lightswitch	-	46914
6in Caster Swivel	6in	46841
6in Caster Rigid	6in	46842
6in Caster, 2 Rigid, 2 Swivel	6in	46843
5in Caster Swivel	5in	46844
5in Caster Rigid	5in	46845
5in Caster, 2 Rigid, 2 Swivel	5in	46846

RETROFIT KIT

Type	Size	Part Number
RFK1500 Casters	-	46767
RFK1500 Mounts	-	46937
RFK1500 Inverted		46768

COLORS

STANDARD

Type	Code	Swatch
White	0405	
Metallic Silver	00MS	
Black	0B07	

CUSTOM*

Type	RAL Code	Swatch
Signal Red	3001	
Traffic Red	3020	
Bright Red Orange	2008	
Dahli Yellow	1033	
Pastel Green	6019	
Signal Green	6032	
Signal Blue	5005	
Traffic Blue	5017	
Traffic Grey	7043	
Signal Grey	7004	
Light Grey	7035	
Signal White	9003	
Pure White	9010	
Black Wrinkle	00BW	

*See more in the BUILT Systems Color Book

CUSTOM WORK SURFACES



UHMW PLASTIC



ALUMINUM



STAINLESS STEEL WRAP



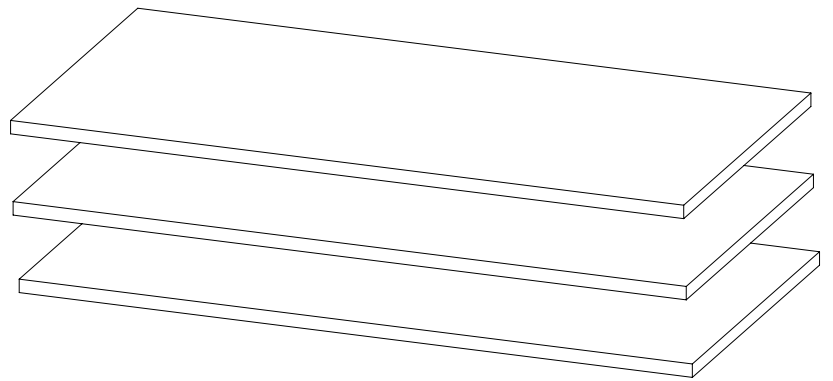
STEEL



BRUSH



BLACK VINYL WRAP



*Contact Sales Team for lead times and pricing on custom worksurface options

WARRANTY

BUILT Systems LLC WARRANTY OBLIGATIONS ARE LIMITED TO THE TERMS SET FORTH BELOW.

Please note that BUILT Systems reserves the right to update, the warranty terms provided for new purchases of BUILT products, and to establish the effective date of those updated warranty terms. Please refer to www.builtsystems.net for a description of its products and services.

BUILT Systems warrants to the original consumer purchaser (“you”) that new BUILT Systems products such as its height adjustable table components will be free from defects in material and workmanship. This limited warranty covers material and manufacturing defects, which cause a non-conformance in the function of a table base and is limited to the following Products and warranty term determined from their dates of purchase:

- a) Electronic components such as control boxes, hand switches and motors – two (2) years
- b) Mechanical components such as crank drives, spindles – five (5) years; and
- c) Structural components such as J-channels, feet, cross bars, etc. – ten (10) years.

The start of the warranty period is the documented date of your purchase of the Product. The warranty herein is made to and for the benefit of the original consumer purchaser of the Product and is non-transferable. In the unlikely event that your BUILT Systems product should require service during the warranty period, please contact BUILT Systems to obtain warranty service. The warranty period on replacement Products is the remainder of the warranty on the original Product or 30 days, whichever is longer.

If you discover a defect in material or workmanship during the warranty period, and BUILT Systems agrees that the defect exists, BUILT Systems will, at its option, repair or replace the Product at no charge to you, provided it is returned during the warranty period, with transportation charges prepaid, to the facility designated by BUILT Systems. The Product must be properly packaged, with the RMA (Return Merchandize Authorization) clearly displayed on the outside of the packaging, to obtain warranty service. BUILT Systems may require a proper proof of purchase documentation prior to issuing the replacement Product.

If BUILT Systems elects to repair a Product, BUILT Systems owns all parts removed from the repaired Product. BUILT Systems uses new and reconditioned parts made by various manufacturers in conjunction with warranty repairs and replacement Products. Repair parts or replacement Products may, at BUILT Systems option, include an equal or better model or features.

To request warranty service and before returning a Product to BUILT Systems, please contact the BUILT Systems Service Center at (616) 795-4569 for customer assistance. Once the BUILT Systems Service Center determines that a repair is required, BUILT Systems will issue an RMA number.

A copy of the receipt or a bill of sale bearing the appropriate name and location and the BUILT Systems model number of the Product for which the defect has been reported may be required as a proof of purchase for warranty service.

The warranty applies only to the Products that can be identified by the original, unaltered BUILT Systems trademark, trade name or logo affixed to them. BUILT Systems does not warrant any product that is not manufactured by, for, or with permission from BUILT Systems.

This warranty does not cover any of the following conditions:

- Abuse, unreasonable use, mistreatment, or neglect
- Unusual physical or electrical stress or power fluctuations
- Damage caused by the equipment or system with which the Product is used
- Damage caused by modification or repair not made or authorized by BUILT Systems
- Products that are determined to be stolen or damaged by an act of God

THIS WARRANTY AND THE REMEDIES SET FORTH ABOVE ARE EXCLUSIVE, NON-TRANSFERABLE AND IN LIEU OF ALL OTHERS, WHETHER ORAL OR WRITTEN, EXPRESSED OR IMPLIED. BUILT Systems SPECIFICALLY DISCLAIMS ANY AND ALL IMPLIED WARRANTIES AS TO THE PRODUCTS OR ANY OTHER MATTER WHATSOEVER. IN PARTICULAR, BUT WITHOUT LIMITATION, BUILT Systems SPECIFICALLY DISCLAIMS ANY AND ALL IMPLIED WARRANTIES OR CONDITIONS OF SATISFACTORY QUALITY, MERCHANTABILITY, FITNESS FOR A PARTICULAR PURPOSE AND NON-INFRINGEMENT OF THIRD PARTY RIGHTS OR ANY OTHER WARRANTY ARISING FROM A COURSE OF DEALING OR USAGE OF TRADE.

No BUILT Systems distributor, reseller, dealer, agent or employee is authorized to make any modification, extension or addition to this warranty. BUILT Systems IS NOT RESPONSIBLE FOR SPECIAL, INCIDENTAL, INDIRECT OR CONSEQUENTIAL DAMAGES HOWEVER CAUSED AND WHETHER OR NOT BUILT Systems WAS ADVISED OF THE POSSIBILITY OF SUCH DAMAGES, INCLUDING BUT NOT LIMITED TO LOST PROFITS: DOWNTIME, GOODWILL, DAMAGE OR REPLACEMENT OF EQUIPMENT AND PROPERTY, AND ANY LEGAL COSTS OF RECOVERY.

Some jurisdictions do not allow the exclusion or limitation of incidental or consequential damages or exclusions of implied warranties, so the above limitations or exclusions may not apply to you.

This Statement of Limited Warranty shall be exclusively interpreted in accordance with the English language with the meaning of its terms. Should a translation of this Limited Warranty deviate from the English language version, only the English language version shall apply and be binding.

BETTER AT EVERY LEVEL

BUILT[®]

S y s t e m s

11511 James Street
Holland, MI 49424
616.795.4569
builtsystems.net