

BUILT
SYSTEMS

**PRODUCT
SPECS**

LIGHT-DUTY CONVEYOR

ELECTRIC HEIGHT ADJUSTABLE



LOAD CAPACITY

150 lbs




STANDARD SIZES

Starting height: 30" (18" stroke)
Depths: 18" | 32"
Lengths: 60" | 72" | 84"

STABILITY

Rigid cold-rolled steel construction
Heavy-duty 3/8" mounting plates

STANDARD COLORS

	RAL 9003 - Signal White
	RAL 7037 - Dusty Grey
	OB07 - Matte Black

CUSTOMIZATION

Custom Sizes, Color
and Branding available

TECHNICAL

LIGHT-DUTY CONVEYOR



MIGHTY MOUNTS

Anti-Vibration, Leveling

3 in Diameter

3/8-16 Thread

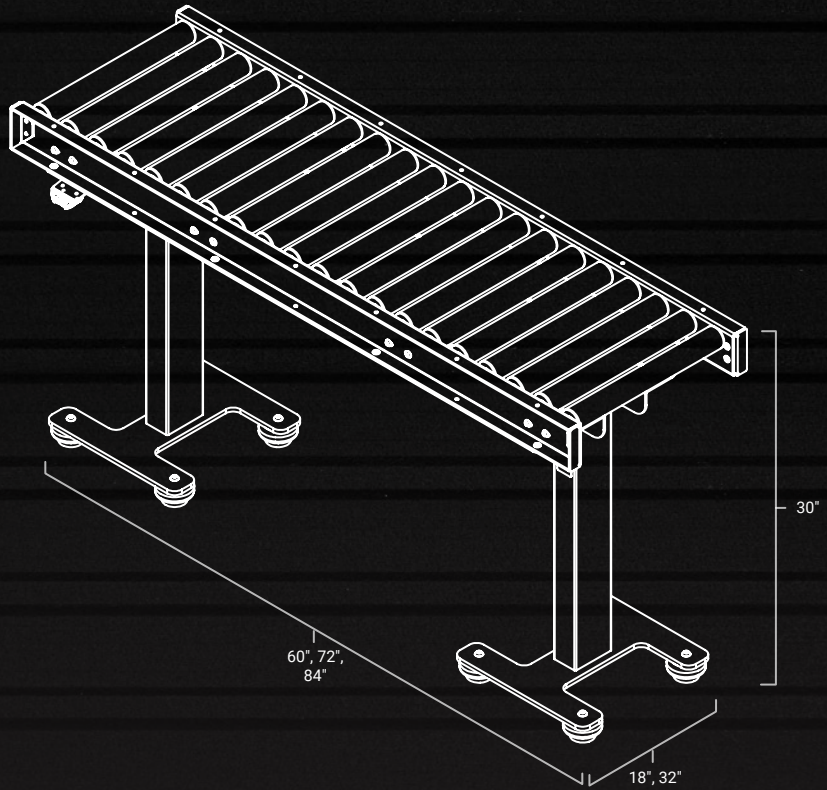
8Hz Natural Frequency

700 lbs Capacity Each

ROLLERS

Galvanized Steel Rollers

1.9 in diameter



MECHANICAL SPECS

Carbon Steel ASTM-A513 Construction Including:

8 ga Depth Tubes

8 ga Conveyor

Vertical Telescoping Welded Frame with our Patented Glide System, Custom Fit During Assembly

Custom conveyor rollers

Spring-Loaded Axle

Zinc-Plated Steel Ball Bearings

Specifications may vary based on system configuration and workload.