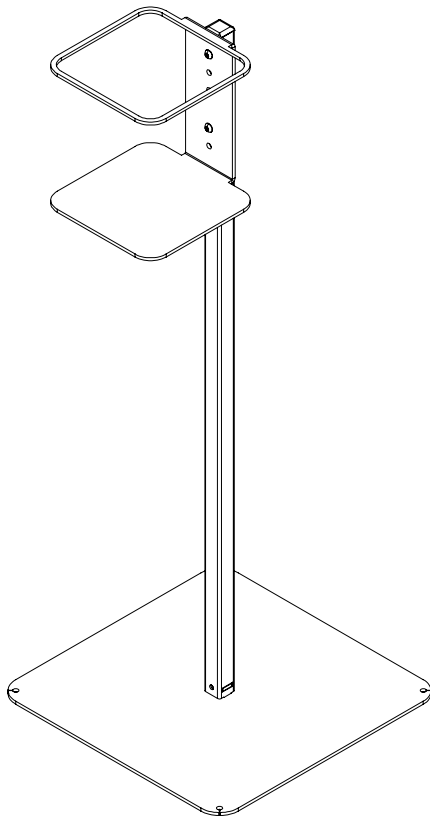


# SANITIZER GALLON HOLDER STAND

ASSEMBLY INSTRUCTIONS



# 123351

## SANITIZER GALLON HOLDER STAND

### FEATURES

- Powder coated steel
- Fits most gallon sized dispensers
- Also available as a wall mount
- Ships knocked down
- Minimal assembly required

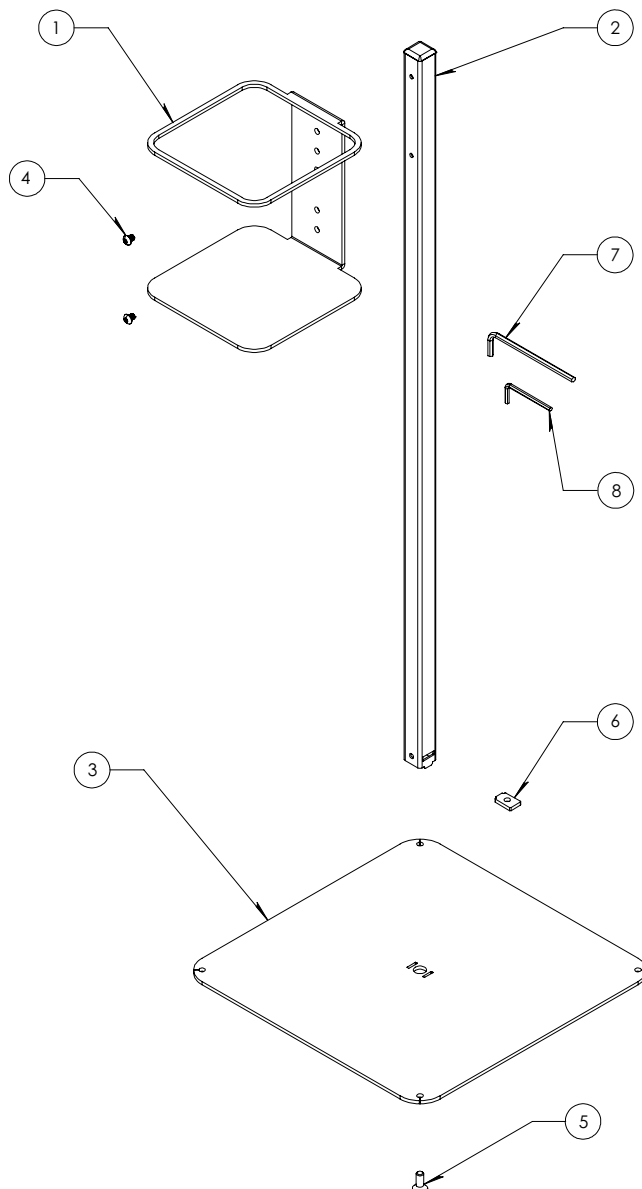
# TABLE OF CONTENTS

<b>Parts Diagram</b>	4
<b>Safety Information</b>	5
<b>Assembly Instructions</b>	6-8
<b>Warranty</b>	9

This manual explains how this product is assembled, used, and maintained. All products are subjected to functional and quality tests before leaving our facility.

# 123351

## PARTS DIAGRAM



### PARTS

### Qty/Package

1.	Gallon Holder	1
2.	Post	1
3.	Base Plate	1
4.	1/4-20 5/16 in Screw	2
5.	M8x1.25 Flat Head Screw	1
6.	Nut Insert	1
7.	5mm L Hex Key	1
8.	5/32 in L Hex Key	1

# SAFETY INFORMATION

**IMPORTANT SAFETY INSTRUCTIONS** *Save these instructions.*

## DANGER

To keep this product from tipping, place it on a firm and level surface out of the way of pedestrian traffic.

**WARNING:** To reduce the risk of death, serious injury, or property damage, read and follow this safety information and the provided instructions when assembling this product. Do not change or replace components and accessories provided by BUILT Systems.

## KEEP AWAY FROM CHILDREN

Do not allow children to use this product unattended.

## BEFORE USING THIS PRODUCT

Be sure the components are securely fastened with the appropriate screws.

# ASSEMBLY INSTRUCTIONS

The assembly of this product to be made in accordance with this manual.  
Changes to the product or improper use may affect the safety, function, and life of your product.

## ASSEMBLY OVERVIEW

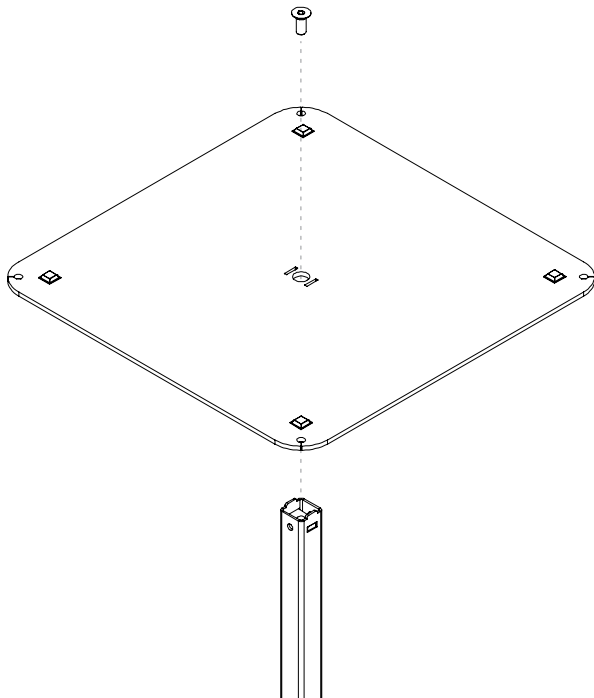
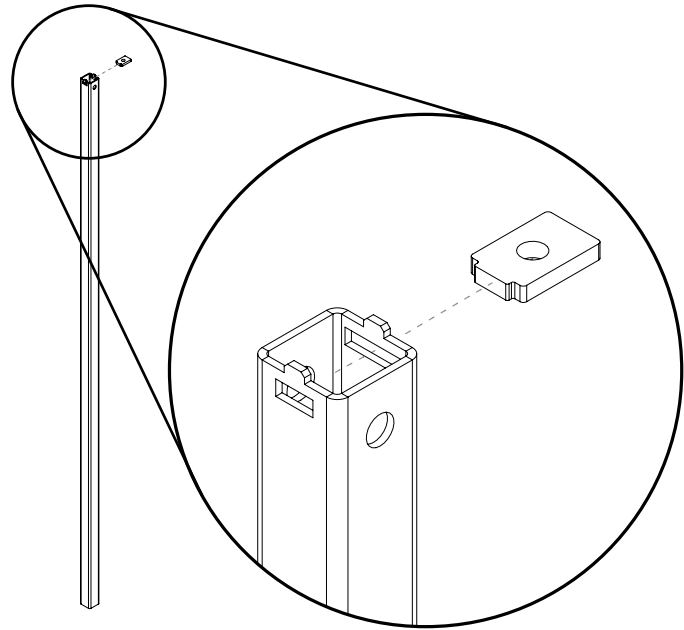
1. Install nut insert
2. Mount base plate
3. Attach gallon holder

If you have any difficulty assembling this unit, or need to order replacement parts, please contact our Customer Service department. Use the parts diagram on page 4 as a reference.

# 1

**INSTALL NUT INSERT**

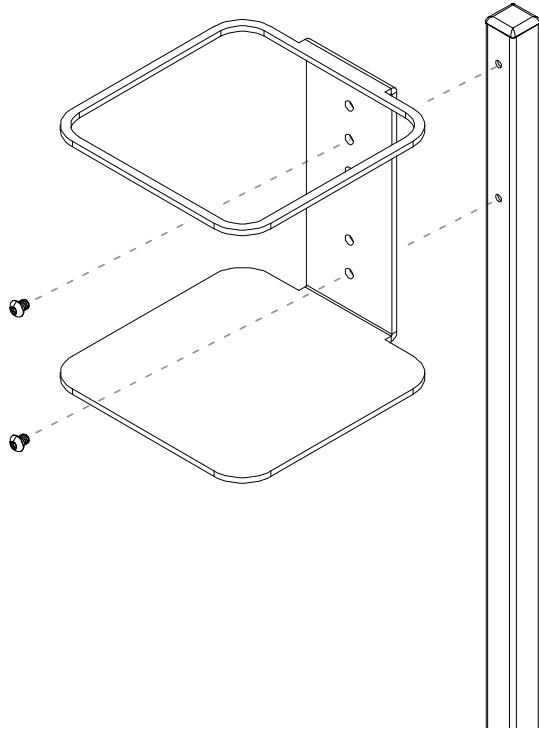
Install the nut insert into the post through the larger opening, making sure it sits flush.



# 2

**MOUNT BASE PLATE**

With the nut insert pushed in, place the base plate on top of the post, lining up with the appropriate guiding slots. Ensure the rubber feet are facing away from the post. Mount the base plate to the post using the provided M8x1.25 flat head screw and 5mm L hex key tool.



### 3 ATTACH THE GALLON HOLDER

With the gallon holder holes lined up with the post, fasten the holder to the post using the provided 1/4-20 5/16 in screws and 5/32 in L hex key tool.



# CUSTOMER SERVICE

If you have any problems with your product, please contact our service department.

**PHONE: 1-616-795-4569**  
**INFO@BUILTSYSTEMS.NET**

# WARRANTY

**CONTACT YOUR SALES REPRESENTATIVE FOR WARRANTY INFORMATION**

## **BUILT Systems**

11511 James Street  
Holland, MI 49424  
616-795-4569  
info@builtsystems.net  
www.builtsystems.net



End of life cycle: Once product is disassembled, all steel components can be recycled at your local metal collector.

---

# BUILT SYSTEMS

Made in Michigan, BUILT products provide manufacturers with essential solutions for the plant floor—products with a combination of attributes and benefits offered nowhere else.

Our manufacturing facility is lean, clean, visual, and streamlined. We design and build highly customized products using advanced machinery and design our own height adjustable products and solutions. Some of our in-house capabilities include:

- Laser Cutting
- Bending
- Welding
- Assembly
- Powder Coating
- Quality Control

To reduce our carbon footprint, eliminate import costs, and support the U.S. economy, we source our materials close to home. BUILT employs American ingenuity to solve problems and create equipment that is better at every level.

---

**THIS PAGE IS  
INTENTIONALLY  
LEFT BLANK**

***BUILT***®  
S y s t e m s