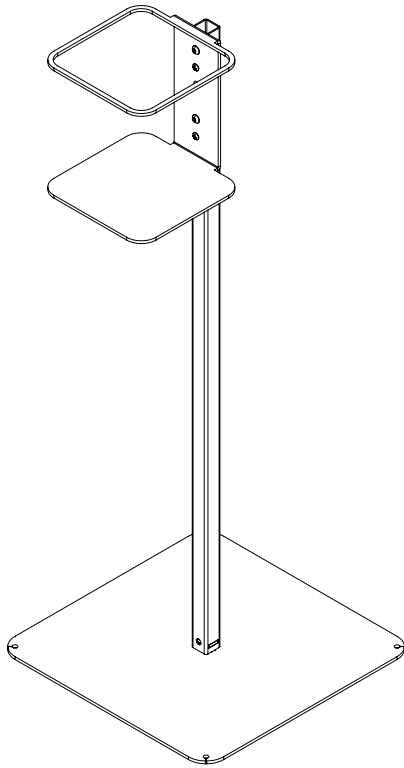


SANITIZER GALLON HOLDER STAND

ASSEMBLY INSTRUCTIONS



123351

SANITIZER GALLON HOLDER STAND

FEATURES

- Powder coated steel
- Fits most gallon sized dispensers
- Also available as a wall mount
- Ships KD
- Minimal assembly required

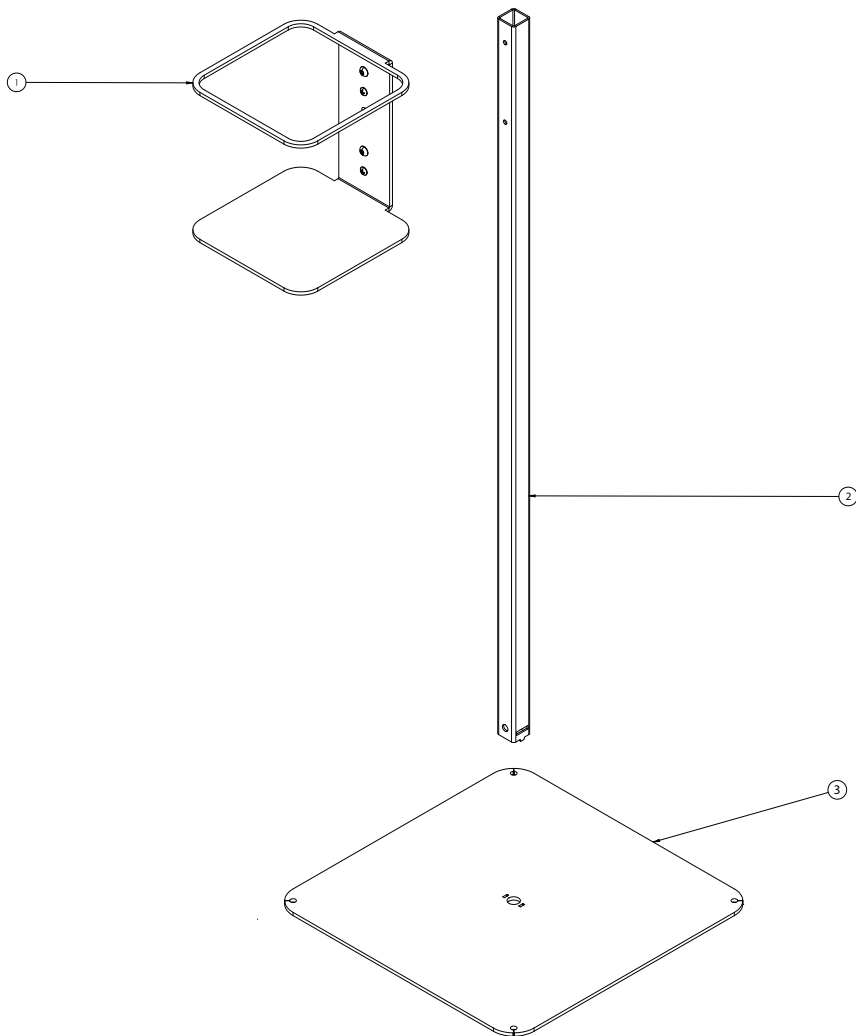
TABLE OF CONTENTS

Parts Diagram	4
Safety Information	5
Assembly Instructions	6-8
Warranty	9

This manual explains how this product is assembled, used, and maintained. All products are subjected to functional and quality tests before leaving our facility.

123351

PARTS DIAGRAM

**PARTS****Qty/Package**

1.	Gallon Holder	1
2.	Post	1
3.	Base Plate	1
4.	1/4-20 5/16IN Screw	2
5.	M8x1.25 Flat Head Screw	1
6.	Nut Insert	1
7.	Rubber Spacers	4

SAFETY INFORMATION

IMPORTANT SAFETY INSTRUCTIONS *Save these instructions.*

DANGER

To keep this product from tipping, place it on a firm and level surface out of the way of pedestrian traffic.

WARNING: To reduce the risk of death, serious injury, or property damage, read and follow this safety information and the provided instructions when assembling this product. Do not change or replace components and accessories provided by BUILT Systems.

KEEP AWAY FROM CHILDREN

Do not allow children to use this product unattended.

BEFORE USING THIS PRODUCT

Be sure the components are securely fastened with the appropriate screws.

ASSEMBLY INSTRUCTIONS

The assembly of this product to be made in accordance with this manual.
Changes to the product or improper use may affect the safety, function, and life of your product.

ASSEMBLY OVERVIEW

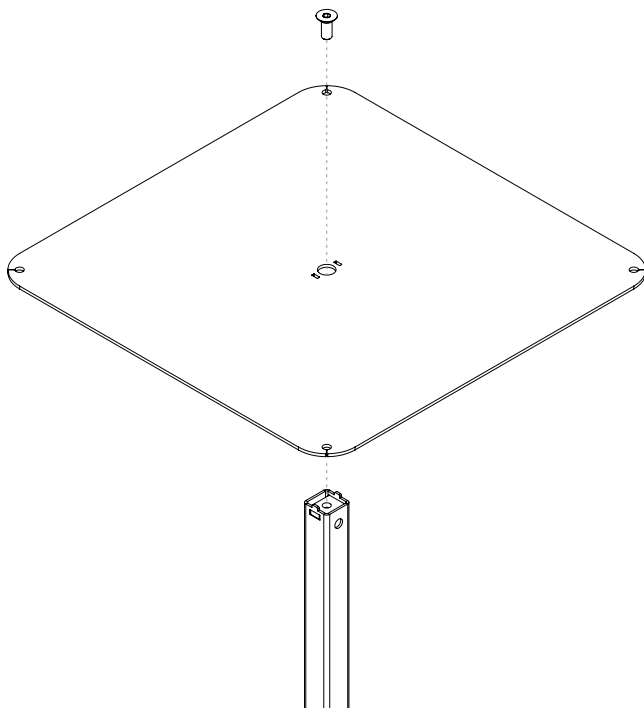
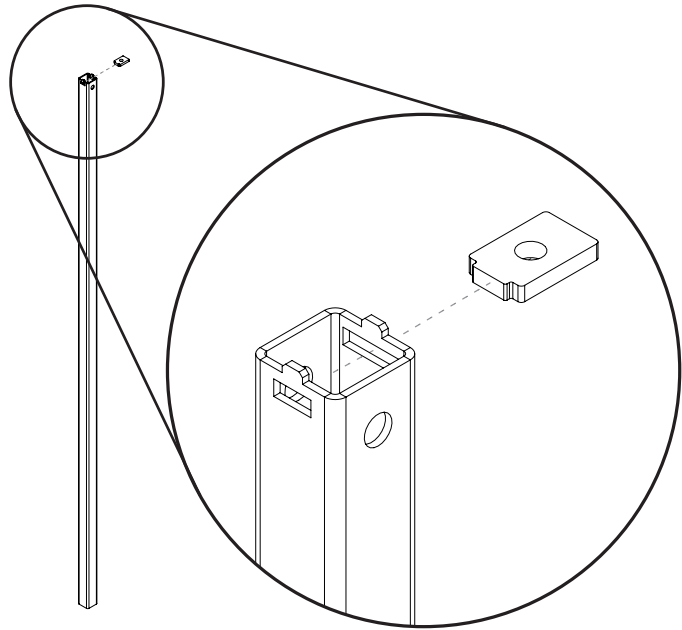
1. Install nut insert
2. Mount base plate
3. Mount rubber spacers
4. Attach gallon holder

If you have any difficulty assembling this unit, or need to order replacement parts, please contact our Customer Service department. Use the parts diagram on page 4 as a reference.

1

INSTALL NUT INSERT

Install the nut insert into the post through the larger opening, making sure it sits flush.

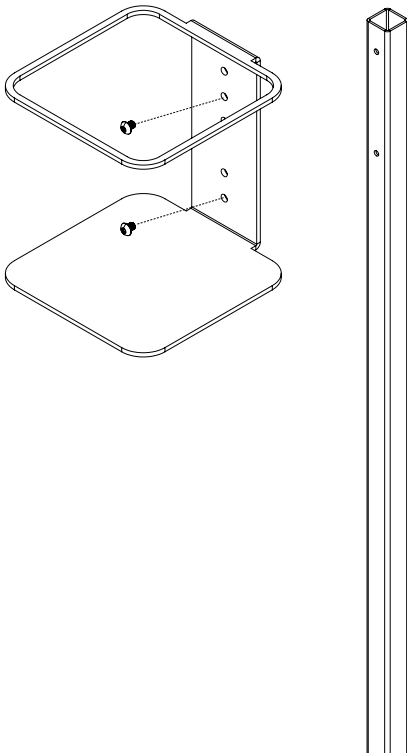
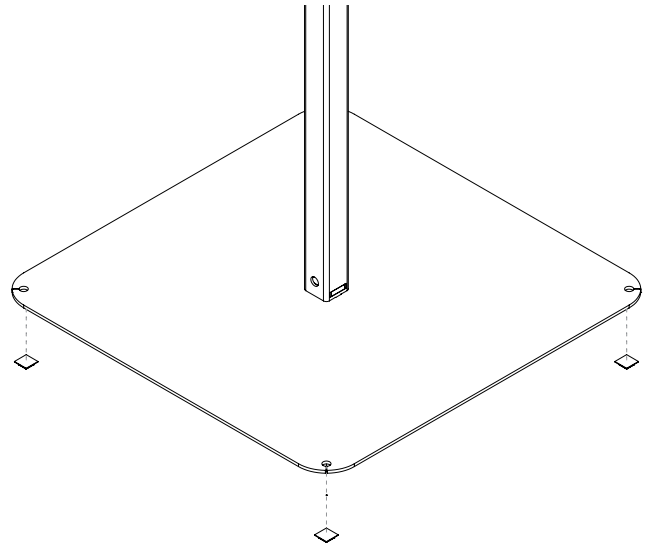


2

MOUNT BASE PLATE

With the nut insert pushed in, place the base plate on top of the post, lining up with the appropriate guiding slots. Mount the base plate to the post using the provided M8x1.25 flat head screw.

- 3 MOUNT RUBBER SPACERS**
Add a rubber spacer at each corner on the bottom of the base plate.



- 4 ATTACH THE GALLON HOLDER**
With the gallon holder holes lined up with the post, fasten the holder to the post using the provided 1/4-20 5/16IN screws.

CUSTOMER SERVICE

If you have any problems with your product, please contact our service department.

PHONE: 1-616-795-4569
INFO@BUILTSYSTEMS.NET

WARRANTY

CONTACT YOUR SALES REPRESENTATIVE FOR WARRANTY INFORMATION

BUILT Systems

11511 James Street
Holland, MI 49424
616-795-4569
info@builtsystems.net
www.builtsystems.net



End of life cycle: Once product is disassembled, all steel components can be recycled at your local metal collector.

BUILT®
S y s t e m s