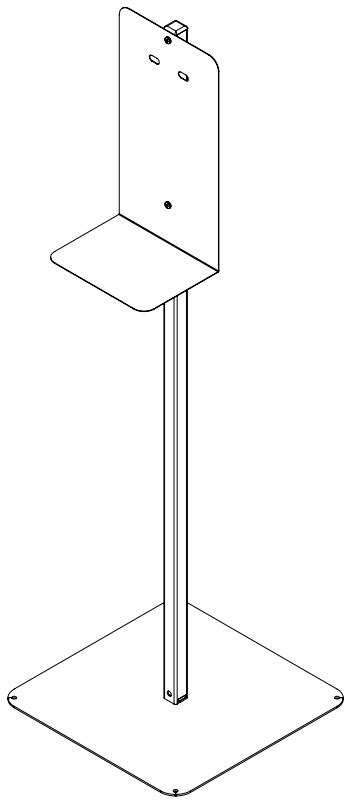


SANITIZER DISPENSER STAND

ASSEMBLY INSTRUCTIONS



123001

SANITIZER DISPENSER STAND

FEATURES

- Powder coated steel
- Drip guard catches excess liquid
- Backplate designed to mount most dispenser models
- Ships KD
- Minimal assembly required

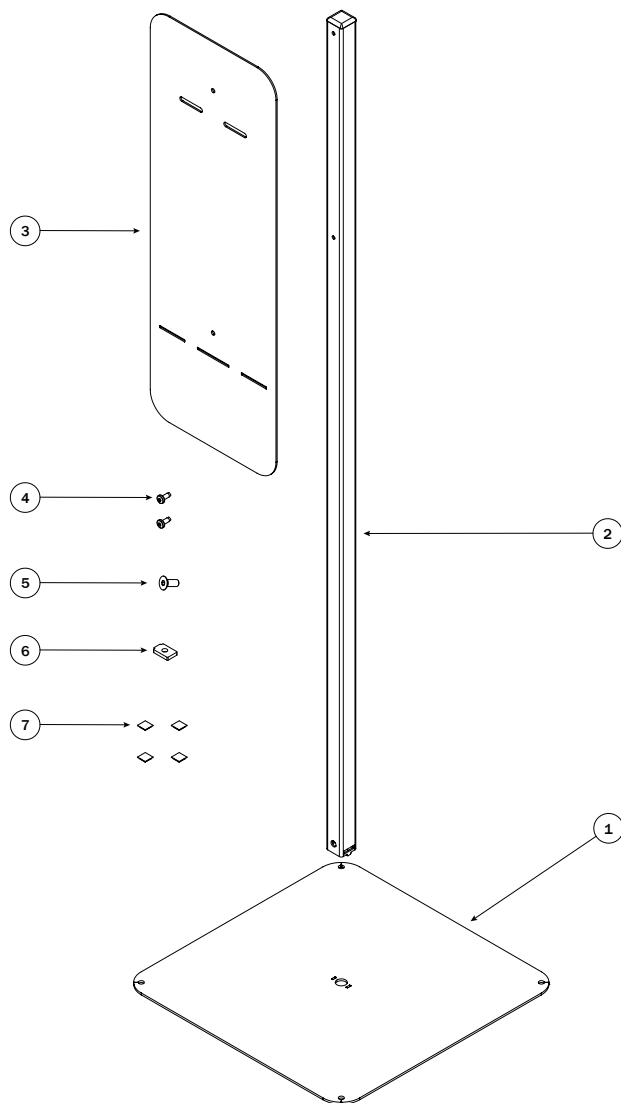
TABLE OF CONTENTS

Parts Diagram	4
Safety Information	5
Assembly Instructions	6-8
Warranty	9

This manual explains how this product is assembled, used, and maintained. All products are subjected to functional and quality tests before leaving our facility.

123001

PARTS DIAGRAM



PARTS

	Qty/Package
1. Base Plate	1
2. Post	1
3. Mounting Plate	1
4. M5x0.8 Thread Forming Screws	2
5. M8x1.25 Flat Head Screw	1
6. Nut Insert	1
7. Rubber Spacers	4

SAFETY INFORMATION

IMPORTANT SAFETY INSTRUCTIONS *Save these instructions.*

DANGER

To keep this product from tipping, place it on a firm and level surface out of the way of pedestrian traffic.

WARNING: To reduce the risk of death, serious injury, or property damage, read and follow this safety information and the provided instructions when assembling this product. Do not change or replace components and accessories provided by OMT-Veyhl.

KEEP AWAY FROM CHILDREN

Do not allow children to use this product unattended.

BEFORE USING THIS PRODUCT

Be sure the components are securely fastened with the appropriate screws.

ASSEMBLY INSTRUCTIONS

The assembly of this product to be made in accordance with this manual.
Changes to the product or improper use may affect the safety, function, and life of your product.

ASSEMBLY OVERVIEW

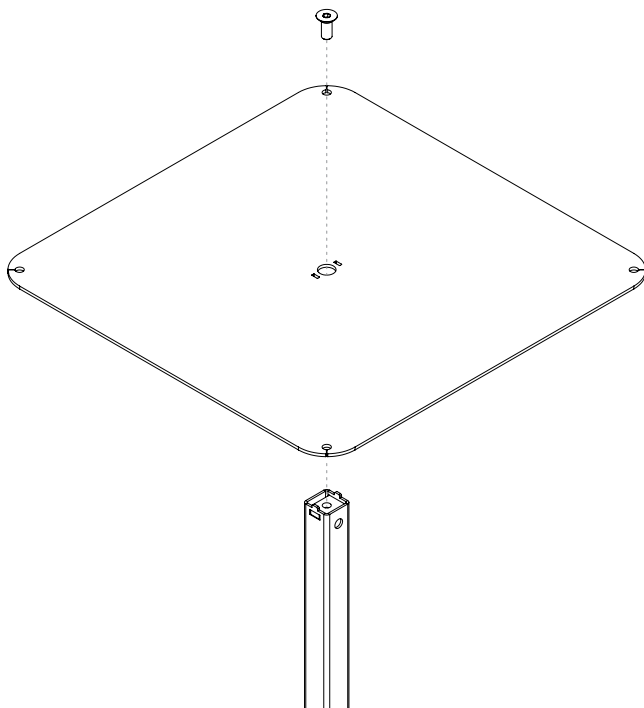
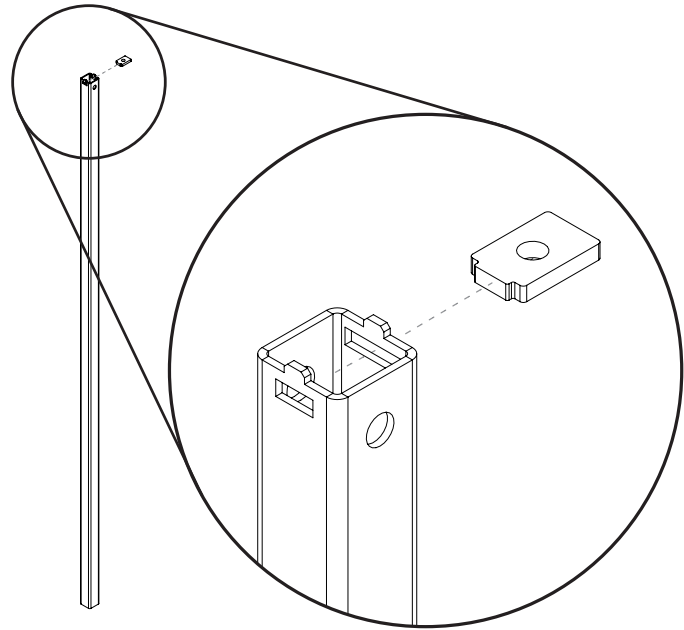
1. Install nut insert
2. Mount base plate
3. Form mounting plate bracket
4. Attach mounting plate
5. Mount rubber spacers

If you have any difficulty assembling this unit, or need to order replacement parts, please contact our Customer Service department. Use the parts diagram on page 4 as a reference.

1

INSTALL NUT INSERT

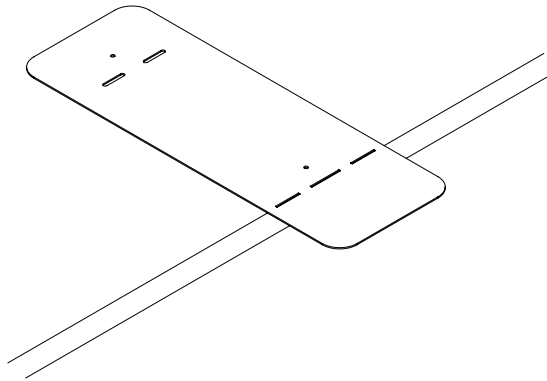
Install the nut insert into the post through the larger opening, making sure it sits flush.



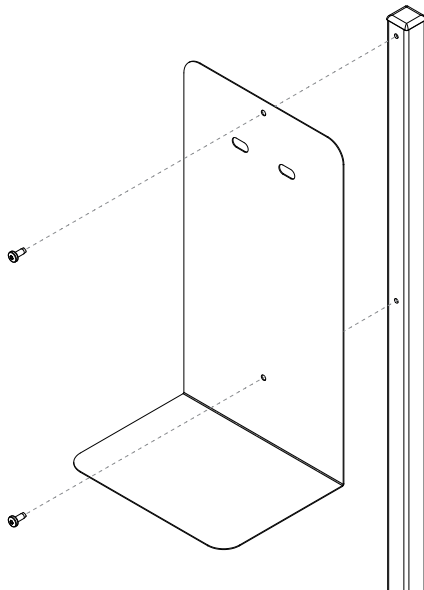
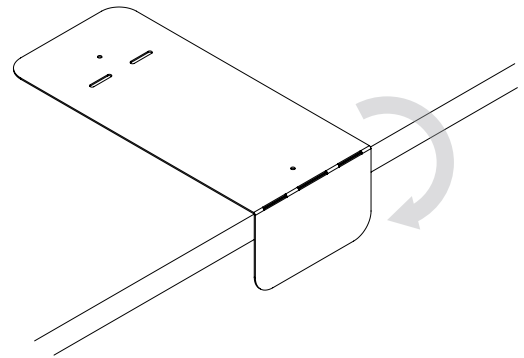
2

MOUNT BASE PLATE

With the nut insert pushed in, place the base plate on top of the post, lining up with the appropriate guiding slots. Mount the base plate to the post using the provided M8x1.25 flat head screw.

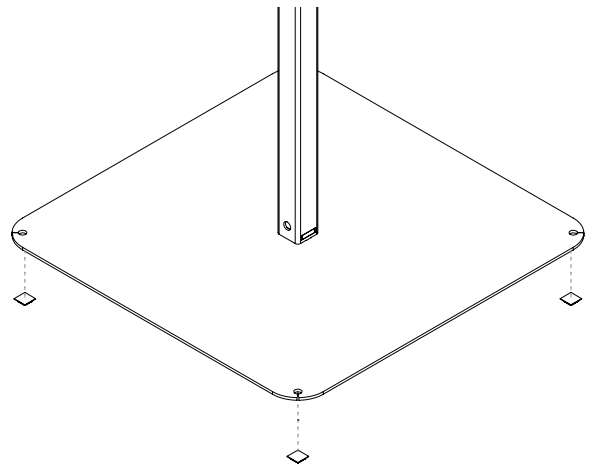


- 3 FORM THE MOUNTING PLATE BRACKET**
Use a straight edge to bend the smaller lip along the perforated lines.



- 4 ATTACH THE MOUNTING PLATE**
With the mounting holes lined up with the post, fasten the mounting plate to the post using the provided M5x0.8 thread forming screws.

- 5 MOUNT RUBBER SPACERS**
Add a rubber spacer at each corner on the bottom of the base plate.



CUSTOMER SERVICE

If you have any problems with your table base, please contact our service department.

PHONE: 1-616-795-4569
INFO@BUILTSYSTEMS.NET

WARRANTY

CONTACT YOUR SALES REPRESENTATIVE FOR WARRANTY INFORMATION

BUILT Systems

11511 James Street
Holland, MI 49424
616-795-4569
info@builtsystems.net
www.builtsystems.net



End of life cycle: Once product is disassembled, all steel components can be recycled at your local metal collector.

BUILT®
S y s t e m s