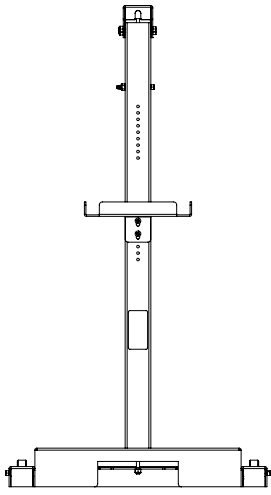


HANDS-FREE SANITIZER STATION

ASSEMBLY INSTRUCTIONS

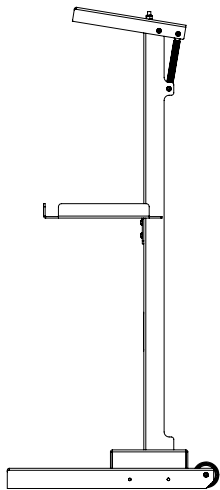


HF1

HANDS-FREE SANITIZER STATION

BUILT Systems Hands-Free Sanitizer Station will keep your sanitizer easily accessible, and we know that in these times, maintaining a clean and sanitized facility is one of the biggest priorities.

This kit supplies everything you need to assemble your hands-free sanitizer station.



FEATURES

- 15 Vertical Adjustment Locations For Various Bottle Sizes
- Foot Lever Action
- Ships in 3-5 Days

TABLE OF CONTENTS

Parts Diagram	4-5
Assembly Instructions	6-11
Customer Service	19
Standards & Certifications	19

HF1

PARTS DIAGRAM

The Hands-Free Sanitizer Station is designed to be a simple, modular assembly. Because of this, you are able to assemble them with very few tools. The tools needed for this assembly are listed below. Hand tools are recommended, but a cordless driver can be used as well. Please keep in mind that hand tightening screws is recommended. Over tightening screws can cause them to strip either the threads of the steel parts or the head of the screw itself.

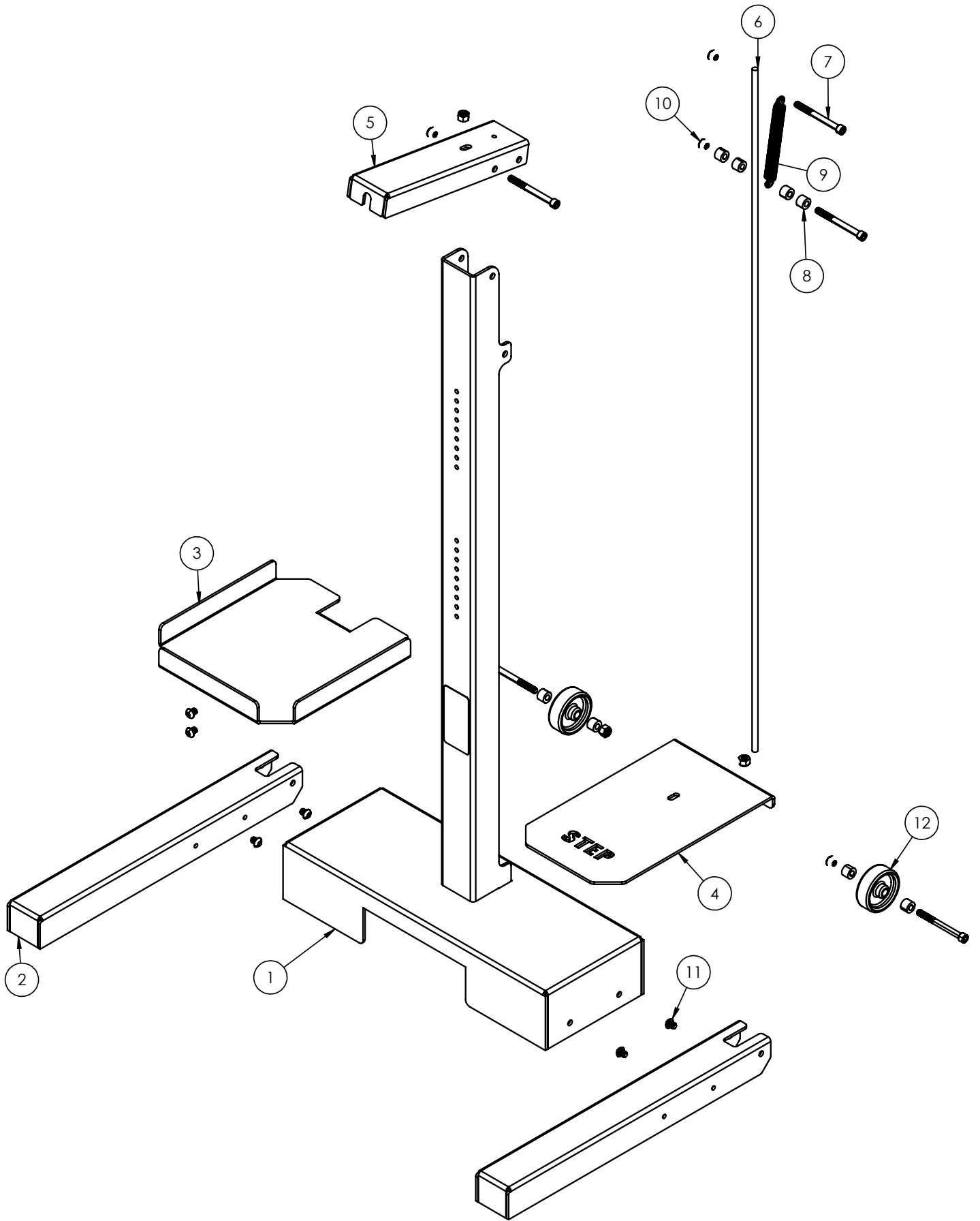
Tools Needed:

3/16 Allen Wrench
 5/32 Allen Wrench
 7/16 Open End Wrench
 Adjustable Pliers



PARTS	Qty
1. Sanitizer Frame (122886)	1
2. Sanitizer Foot (122890)	2
3. Bottle Shelf (122889)	1
4. Foot Pedal (122887)	1
5. Pump Leveler (122888)	1
6. Threaded Rod (122874)	1

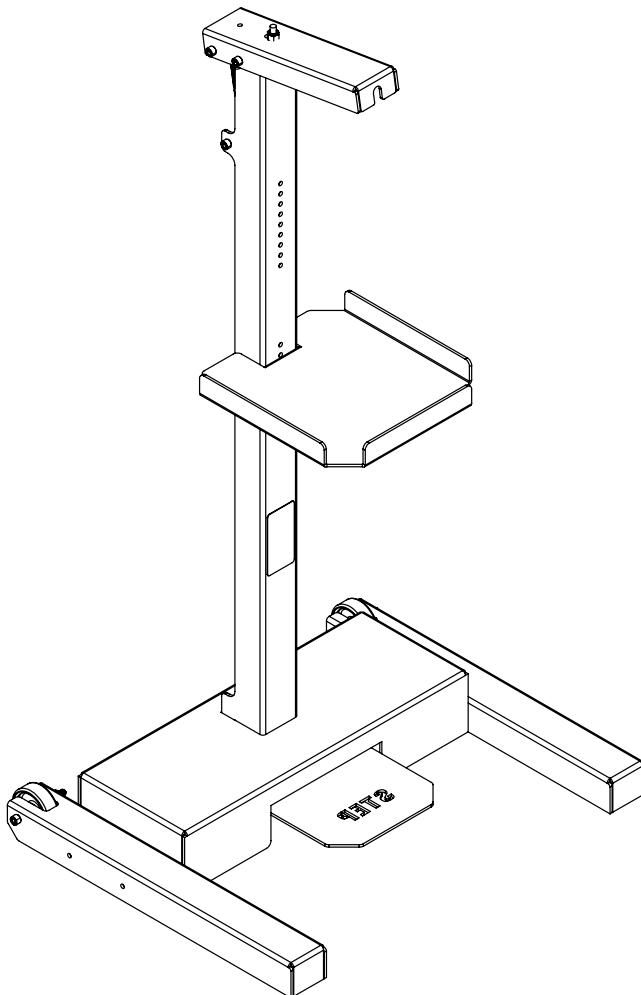
HARDWARE	Qty
7. 1/4-20 Bolt X 2 5/8IN (122873)	5
8. Spacer (122870)	8
9. Lever Spring (104794)	1
10. 1/4-20 Nyloc Nut (122872)	7
11. 1/4-20 X 5/16IN Bolt (122881)	6
12. Nylon Wheel (122869)	2



ASSEMBLY INSTRUCTIONS

The assembly of this station is to be made in accordance with this manual.
Changes to the station frame or improper use may affect the safety, function, and life of your product.

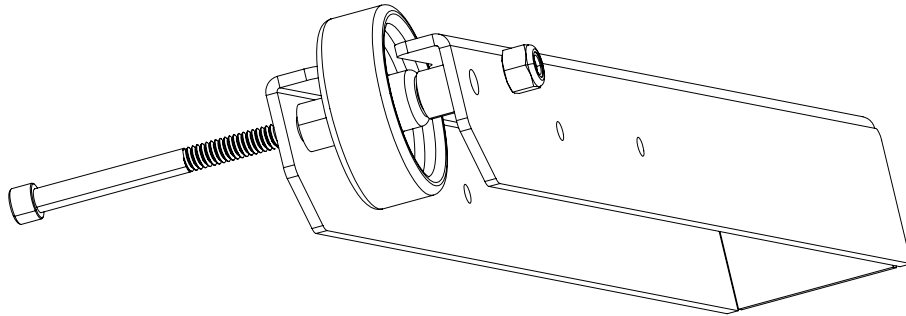
ASSEMBLY OVERVIEW



1

FOOT ASSEMBLY

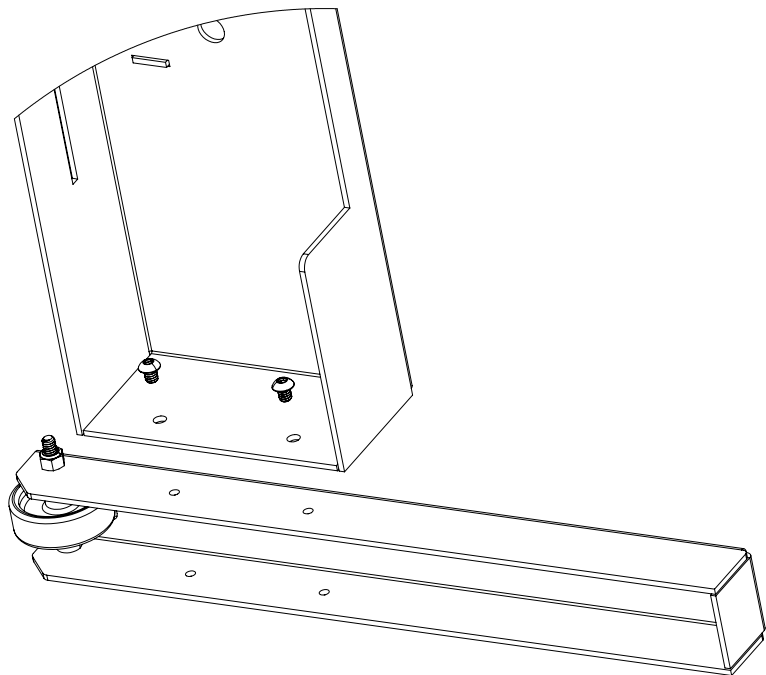
Locate the following parts; Foot (Part 2), Nylon Wheels (Part 12), 1/4-20 Bolt (Part 7), 1/4-20 Nut (Part 10), and two Spacers (Part 8). Insert the 1/4-20 Bolt part way into the Foot, be sure to leave room to then slide the Spacers and Wheel onto the Bolt before pushing the Bolt completely through the Foot. Place one Spacer on the Bolt first, followed by the Wheel, and then followed by another Spacer. Once those parts are on the Bolt, push the Bolt all the way through the Foot and secure it with the 1/4-20 Nut. Repeat this process for the second Foot.



2

ASSEMBLE THE FEET TO THE BASE

Locate the sanitizer frame (Part 1), the foot assemblies that were completed in step 1, and four 1/4-20 Bolts (Part 11). Align the holes in the Frame to the holes in the Foot assembly, and secure using two 1/4-20 Bolts. Repeat for both sides of the frame.

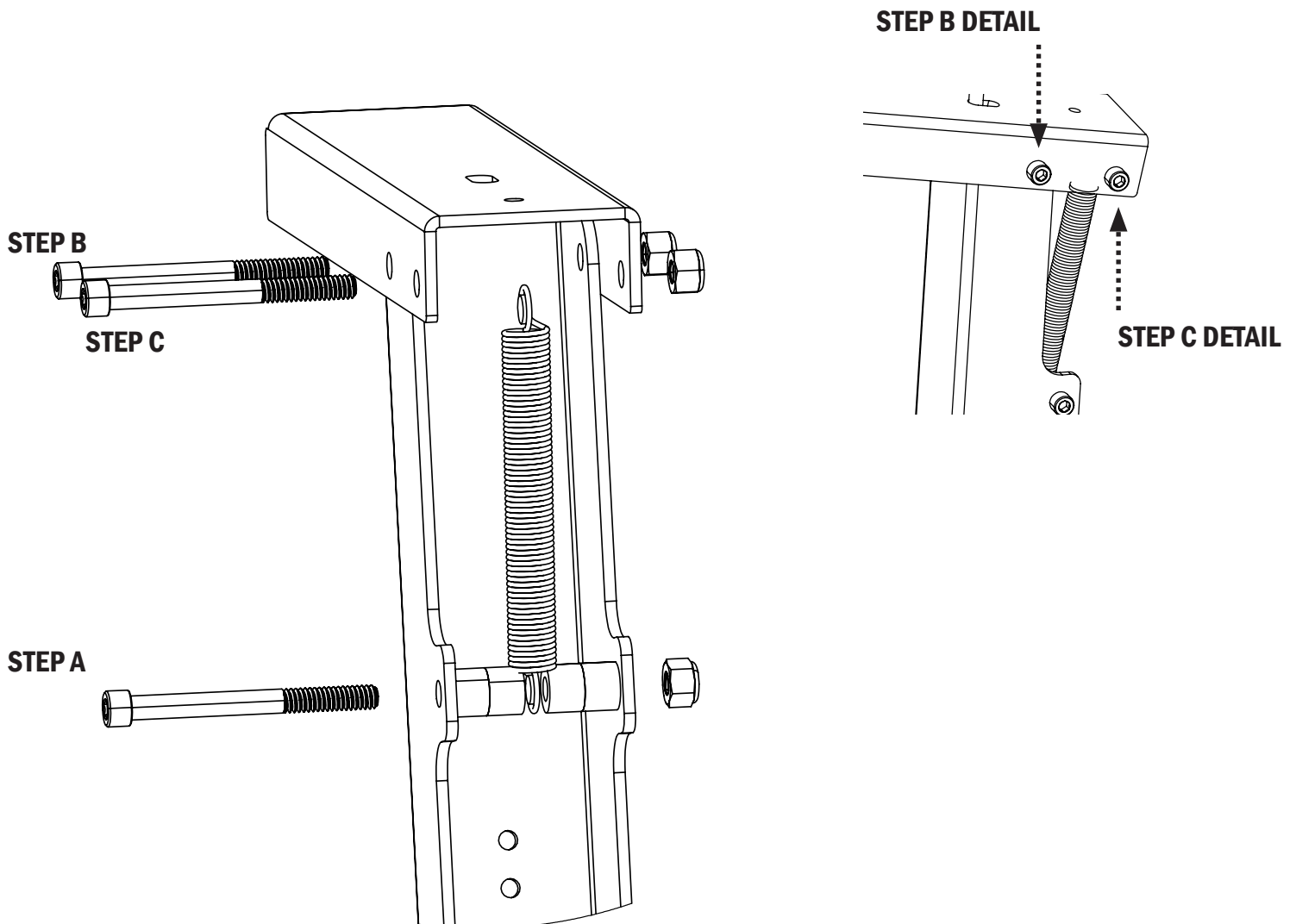


3 ATTACH THE PUMP LEVER

Locate the Pump Lever (Part 5), three 1/4-20 Bolts (Part 7), and four Spacers (Part 8), three 1/4-20 Nuts (Part 10), and the Lever Spring (Part 9).

Begin by inserting one 1/4-20 Bolt part way into the hole of the Sanitizer Frame (Step A), be sure to leave room to then slide the four Spacers and Spring onto the bolt. Place two Spacers on the Bolt first, followed by one loop of the Spring, and then followed by two more Spacers. Once those parts are on the bolt, push the bolt all the way through the frame and secure it with a 1/4-20 Nut.

Next, place the Pump Lever onto the Frame Assembly and align the holes as seen in the image below. Insert one bolt into the aligned holes first (Step B), push it all the way through lever and the frame, then secure with a 1/4-20 Nut. Insert another bolt into the remaining hole in the Lever (Step C), slide the Bolt through the Spring loop before pushing the Bolt through the Lever. Then secure with a 1/4-20 Nut.



4 ATTACHING THE FOOT PEDAL

Locate the Foot Pedal (Part 4), the Threaded Rod (Part 6), and one 1/4-20 Nut (Part 10). Insert the Threaded Rod into the Frame Assembly through the hole on the bottom of the Frame. Push the Threaded Rod most of the way into the Frame, leaving about one inch remaining visible at the bottom. Insert the Foot Pedal into the slot of the Frame until the back of the Pedal touches the Frame. Align the slot in the Foot Pedal with the Threaded Rod and push the Threaded Rod back through the Foot Pedal. Hold the Rod in place using pliers, and then tighten and secure with a 1/4-20 Nut. See Figure 2 for the finished look.

FIGURE 1

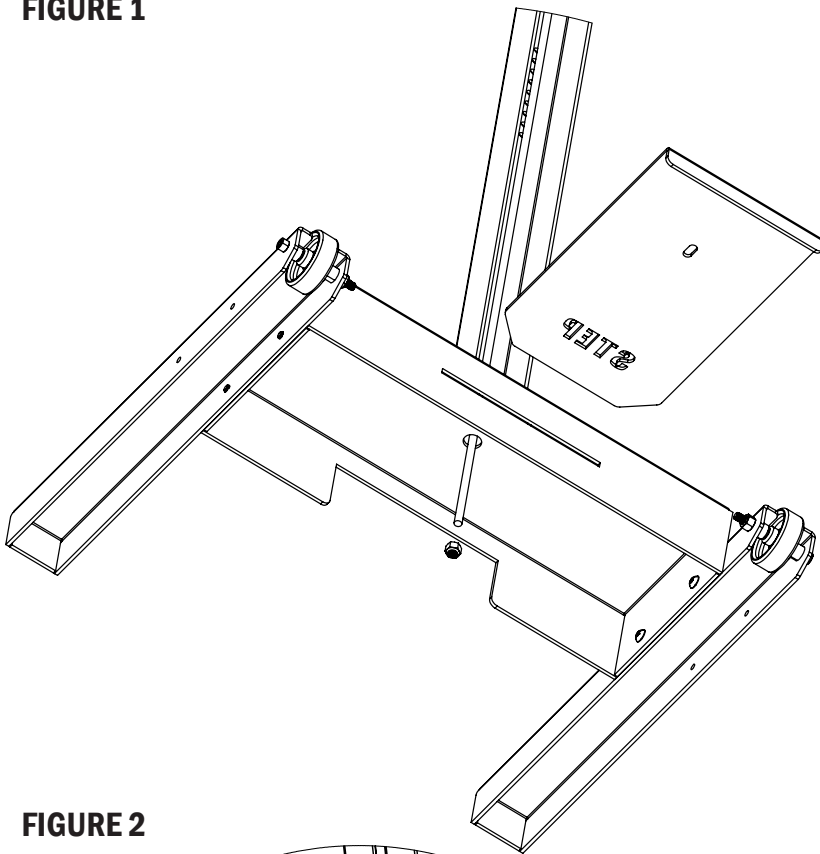
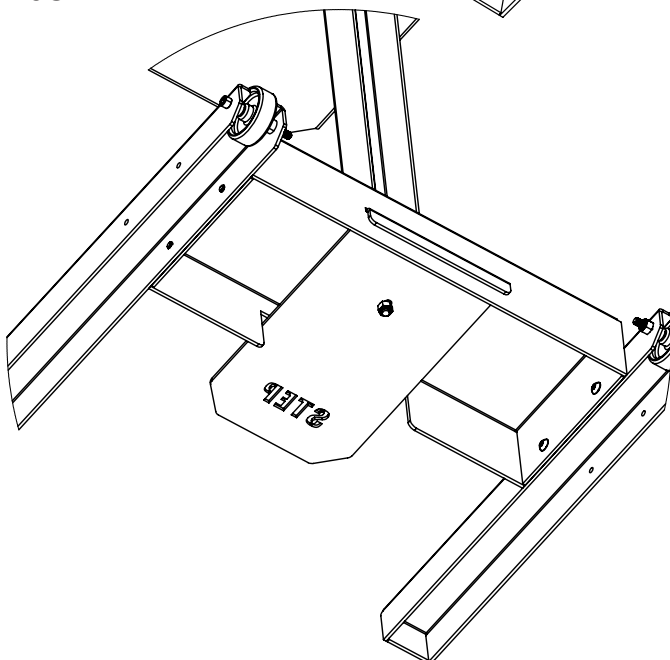
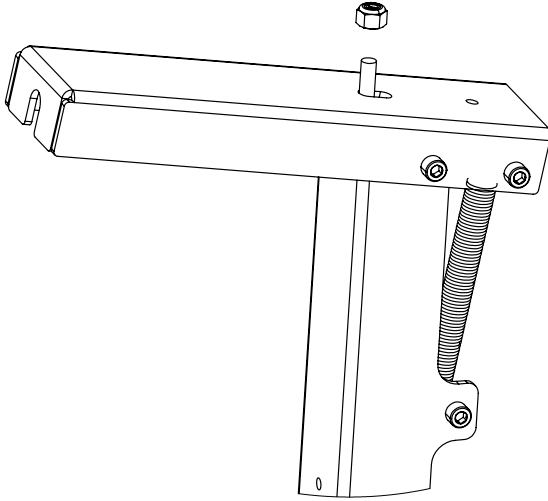


FIGURE 2



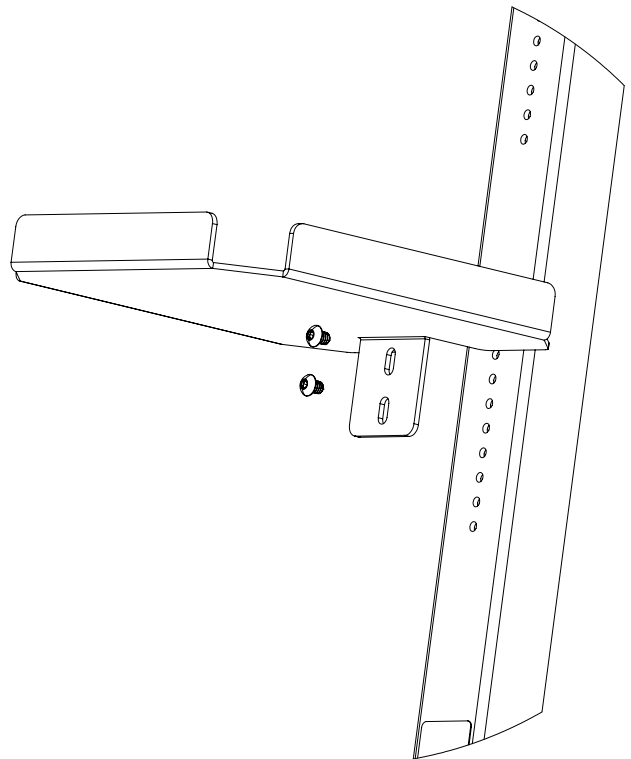
5 TOP NUT

Locate one 1/4-20 Nut (Part 10). Complete the Threaded Rod assembly by inserting the Threaded Rod into the slot in the Pump Lever. Hold the Rod in place using pliers, and then tighten and secure with a 1/4-20 Nut.



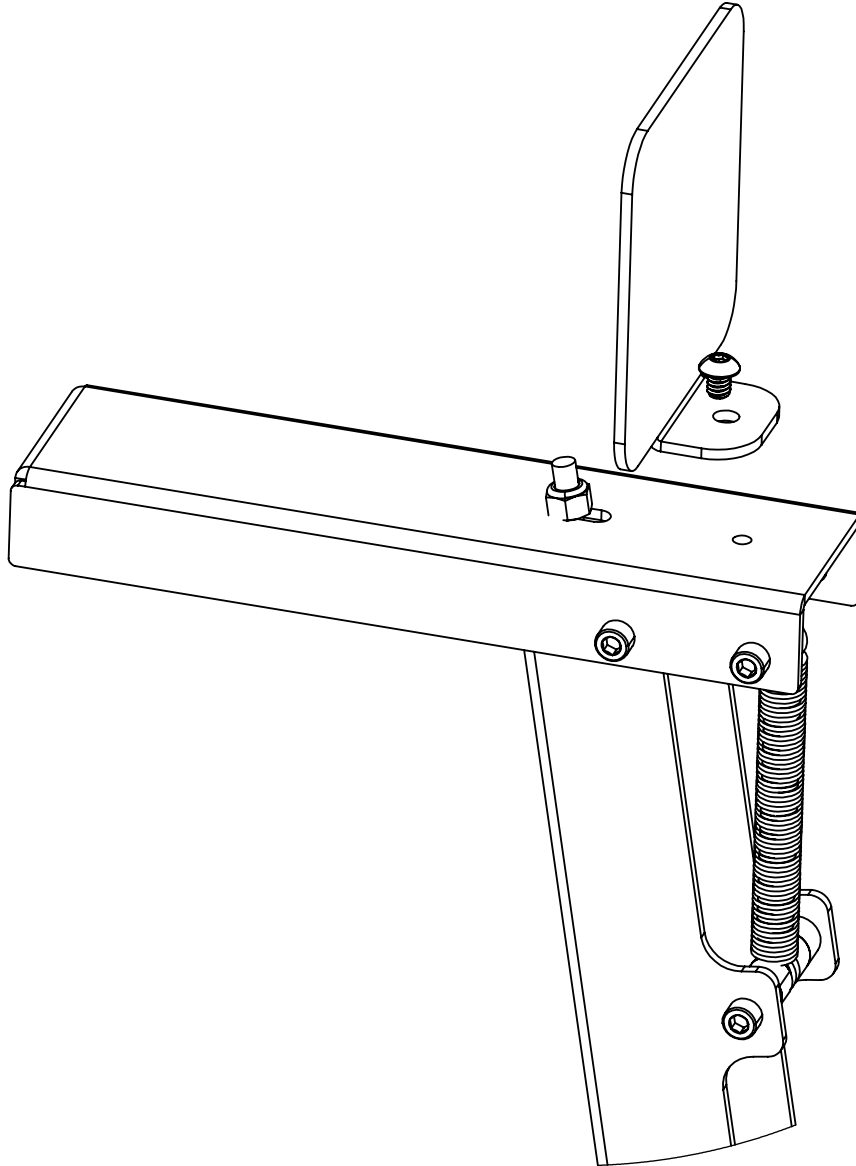
6 SHELF ASSEMBLY

Locate the Bottle Shelf (Part 3) and two 1/4-20 Bolts (Part 11). Position the Shelf on the Frame assembly at the desired height and secure with two 1/4-20 Bolts.



7 OPTIONAL - NAMEPLATE ACCESSORY

Locate the Nameplate Accessory (Optional) and secure it to the pump lever using one 1/4-20 Bolt as seen in image below.



CUSTOMER SERVICE

If you have any problems with your table base, please contact our service department.

PHONE: 1-616-795-4569
INFO@BUILTSYSTEMS.NET

WARRANTY

CONTACT YOUR SALES REPRESENTATIVE FOR WARRANTY INFORMATION

BUILT Systems

11511 James Street
Holland, MI 49424
616-795-4569
info@builtsystems.net
www.builtsystems.net

BUILT SYSTEMS

Made in Michigan, BUILT products provide manufacturers with essential solutions for the plant floor—products with a combination of attributes and benefits offered nowhere else.

Our manufacturing facility is lean, clean, visual, and streamlined. We design and build highly customized products using advanced machinery and design our own height adjustable products and solutions. Some of our in-house capabilities include:

- Laser Cutting
- Bending
- Welding
- Assembly
- Powder Coating
- Quality Control

To reduce our carbon footprint, eliminate import costs, and support the U.S. economy, we source our materials close to home. BUILT employs American ingenuity to solve problems and create equipment that is better at every level.

BUILT®
S y s t e m s