

LIGHT-DUTY WORKSTATIONS

Assembly Table 150 Series

ATE150

Electric adjustment

ATC150

Crank adjustment

ATF150

Fixed height

UPPER ADD ONS *(requires lightframe)*

LED Light

Fan Kit

Pegboard Kit

Whiteboard Kit

Whiteboard/Pegboard Kit

Tool Trolley
available with Tool Balancer

Roll Holder

Upper Flow Rack Shelf

Tool Bin Bracket

Upper Shelf (12" or 24")

Paper Tray

Parts Bin

Small PC Hanger

Monitor Mount

Basic Monitor Arm

Ergo Arm

Tray

Single Monitor

Dual Monitor

Monitor/Keyboard

Keyboard Only

Tool Bins

OTHER ADD ONS *(lightframe not required)*

Drawer Kits

Large, Small or Combo

Lower Shelf

Lower Pegboard

PC Tower Hanger

Power Strip



LIFT CAPACITY

150 lbs

STANDARD SIZES

Starting height: 29"

Widths: 36"-96" *(12" increments)*

Depths: 30" | 36"

ADJUSTMENT

Available as fixed height, or with electric or crank height-adjustment

18" vertical adjustment


Speed 1.5in per second (electric)

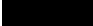
Simple or programmable control switch

STANDARD COLORS


VOC-free powder coating

 RAL 9003 - Signal White


 RAL 7037 - Dusty Grey

 OB07 - Matte Black

STANDARD SURFACES

 Butcher Block

 HPL Black

 HPL White

electrostatic discharge (ESD) options

STABILITY

Rigid cold-rolled steel construction

Choose from anti-vibration mounts, polymounts, or 5" locking swivel casters.

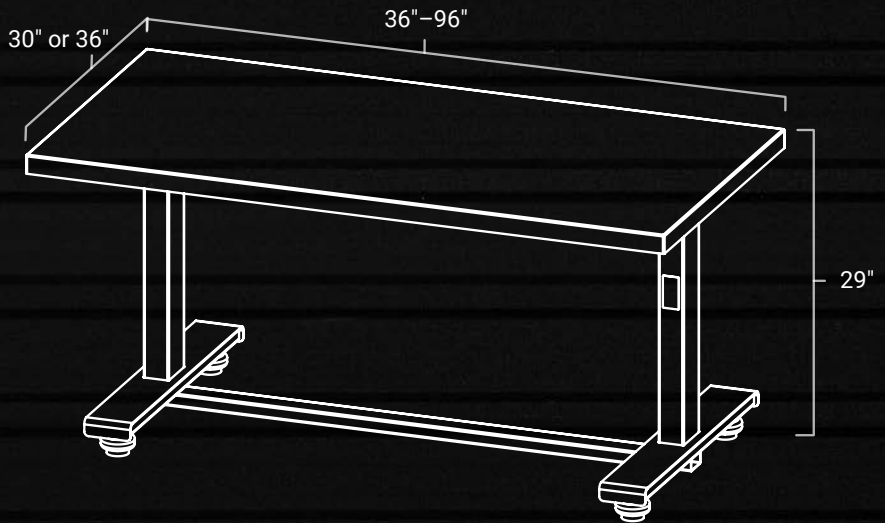
CUSTOMIZATION

Custom Sizes, Color and Branding available

Shown with Lightframe, Upper Shelf, Tool Bin Bracket, and Drawer

TECHNICAL

LIGHT-DUTY WORKSTATIONS



POLYMOUNTS

Leveling
Bolt-Down Capable
3 in Diameter
3/8-16 Thread
800 lbs Capacity Each

MIGHTY MOUNTS

Anti-Vibration, Leveling
3 in Diameter
3/8-16 Thread
8Hz Natural Frequency
700 lbs Capacity Each

CASTERS

5 in Swivel With Brake
(Rigid Casters Optional)
Polyurethane -
Shore A 80 Durometer
1100 lbs Capacity Each



No Lightframe



With Lightframe

ELECTRICAL SPECS

Power Supply 120VAC 10% / 60Hz
Standby Power Consumption < 0.3 Watts
Operating Temperature 0-35° C
Protection Class IP20
Maximum Power Output 216VA/24V

2 Column System with 1 Control Box:

Maximum Lift Capacity 150LBS (68kg / 667N)
Adj. Range 18IN
Maximum Input Current 5A
Maximum Duty Cycle 10% (2 MIN ON / 18 MIN OFF)

Specifications may vary based on system configuration and workload.