



**PRODUCT  
GUIDE &  
SPECS**

**BUILT**  
SYSTEMS

## **WORKSTATIONS**

LIGHT DUTY | MEDIUM DUTY | HEAVY DUTY



## **INDUSTRY MODERNIZED**

BUILT Systems' solutions support a modern environment in a variety of industries. From machine bases acting as a foundation to robotic, automatic fixtures, to workbenches setting the groundwork for custom controls data tracking, to entirely tailored solutions, these are spaces for the future.

Each solution is then designed in a modular fashion to support a changing and growing facility along with the implementation of new technology. A visually appealing, sturdy design completes the cutting-edge facility.

## WORKSTATIONS

The industries and applications are vast when it comes to workstations, with requirements all over the board. Whether it's constructing large, industrial components, or conducting light-weight packaging of small items, workstations can look quite different to fulfill the needs of a certain business.

BUILT's line of workstations offer light- through heavy-duty options with an array of accessories available to configure a space as needed. Each workstation is designed with rigid, cold-rolled steel and uses a patented, electric height-adjustable system. Completed with casters and mighty mounts, these workstations ensure your production line is as tough as the work you do.



# LIGHT-DUTY WORKSTATIONS

Assembly Table 150 Series

- ATE150** Electric adjustment
- ATC150** Crank adjustment
- ATF150** Fixed height

## UPPER ADD ONS (requires lightframe)

- |                                              |                   |
|----------------------------------------------|-------------------|
| LED Light                                    | Paper Tray        |
| Fan Kit                                      | Parts Bin         |
| Pegboard Kit                                 | Small PC Hanger   |
| Whiteboard Kit                               | Monitor Mount     |
| Whiteboard/Pegboard Kit                      | Basic Monitor Arm |
| Tool Trolley<br>available with Tool Balancer | Ergo Arm<br>Tray  |
| Roll Holder                                  | Single Monitor    |
| Upper Flow Rack Shelf                        | Dual Monitor      |
| Tool Bin Bracket                             | Monitor/Keyboard  |
| Upper Shelf (12" or 24")                     | Keyboard Only     |
|                                              | Tool Bins         |

## OTHER ADD ONS (lightframe not required)

- |                                      |                 |
|--------------------------------------|-----------------|
| Drawer Kits<br>Large, Small or Combo | PC Tower Hanger |
| Lower Shelf                          | Power Strip     |
| Lower Pegboard                       |                 |



Shown with Lightframe, Upper Shelf, Tool Bin Bracket, and Drawer

## LIFT CAPACITY

150 lbs

## STANDARD SIZES

Starting height: 29"  
Widths: 36"-96" (12" increments)  
Depths: 30" | 36"

## STANDARD COLORS

VOC-free powder coating

- RAL 9003 - Signal White
- RAL 7037 - Dusty Grey
- OB07 - Matte Black

## STANDARD SURFACES

- Butcher Block
- HPL Black
- HPL White

electrostatic discharge (ESD) options

## ADJUSTMENT

Available as fixed height, or with electric or crank height-adjustment  
18" vertical adjustment  
Speed 1.5in per second (electric)  
Simple or programmable control switch

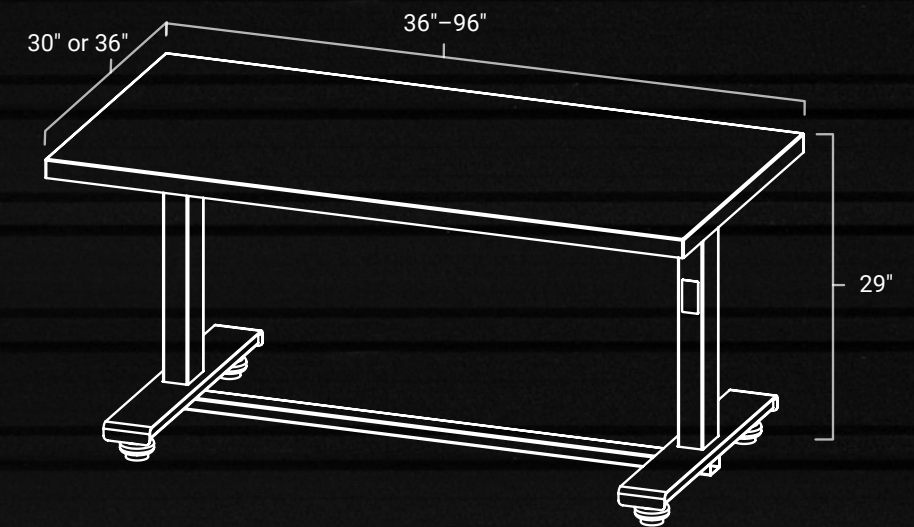
## STABILITY

Rigid cold-rolled steel construction  
Choose from anti-vibration mounts, polymounts, or 5" locking swivel casters.

## CUSTOMIZATION

Custom Sizes, Color and Branding available

## TECHNICAL



### POLYMOUNTS

- Leveling
- Bolt-Down Capable
- 3 in Diameter
- 3/8-16 Thread
- 800 lbs Capacity Each

### MIGHTY MOUNTS

- Anti-Vibration, Leveling
- 3 in Diameter
- 3/8-16 Thread
- 8Hz Natural Frequency
- 700 lbs Capacity Each

### CASTERS

- 5 in Swivel With Brake (Rigid Casters Optional)
- Polyurethane - Shore A 80 Durometer
- 1100 lbs Capacity Each



No Lightframe

With Lightframe

## ELECTRICAL SPECS

Power Supply 120VAC 10% / 60Hz  
Standby Power Consumption < 0.3 Watts  
Operating Temperature 0-35° C  
Protection Class IP20  
Maximum Power Output 216VA/24V

### 2 Column System with 1 Control Box:

Maximum Lift Capacity 150LBS (68kg / 667N)  
Adj. Range 18IN  
Maximum Input Current 5A  
Maximum Duty Cycle 10% (2 MIN ON / 18 MIN OFF)

# MEDIUM-DUTY WORKSTATIONS

Assembly Table 400 Series

**ATE400** Electric adjustment    **ATC400** Crank adjustment    **ATF400** Fixed height

## UPPER ADD ONS *(requires lightframe)*

- |                                              |                   |
|----------------------------------------------|-------------------|
| LED Light                                    | Paper Tray        |
| Fan Kit                                      | Parts Bin         |
| Pegboard Kit                                 | Small PC Hanger   |
| Whiteboard Kit                               | Monitor Mount     |
| Whiteboard/Pegboard Kit                      | Basic Monitor Arm |
| Tool Trolley<br>available with Tool Balancer | Ergo Arm<br>Tray  |
| Roll Holder                                  | Single Monitor    |
| Upper Flow Rack Shelf                        | Dual Monitor      |
| Tool Bin Bracket                             | Monitor/Keyboard  |
| Upper Shelf (12" or 24")                     | Keyboard Only     |
|                                              | Tool Bins         |

## OTHER ADD ONS *(lightframe not required)*

- |                                      |                 |
|--------------------------------------|-----------------|
| Drawer Kits<br>Large, Small or Combo | PC Tower Hanger |
| Lower Shelf                          | Power Strip     |
| Lower Pegboard                       |                 |



*Shown with Lightframe, Whiteboard/Pegboard Combo, Tool Bin Bracket, Paper Tray, Roll Holder, and Lower Shelf*

## LIFT CAPACITY

400 lbs

## STANDARD SIZES

Starting height: 29"  
Widths: 36"-96" (12" increments)  
Depths: 30" | 36"

## ADJUSTMENT

Available as fixed height, or with electric or crank height-adjustment  
18" vertical adjustment  
Speed 1.5in per second (electric)  
Simple or programmable control switch

## STANDARD COLORS

VOC-free powder coating

- RAL 9003** - Signal White
- RAL 7037** - Dusty Grey
- OB07** - Matte Black

## STANDARD SURFACES

- Butcher Block
- HPL Black
- HPL White

electrostatic discharge (ESD) options

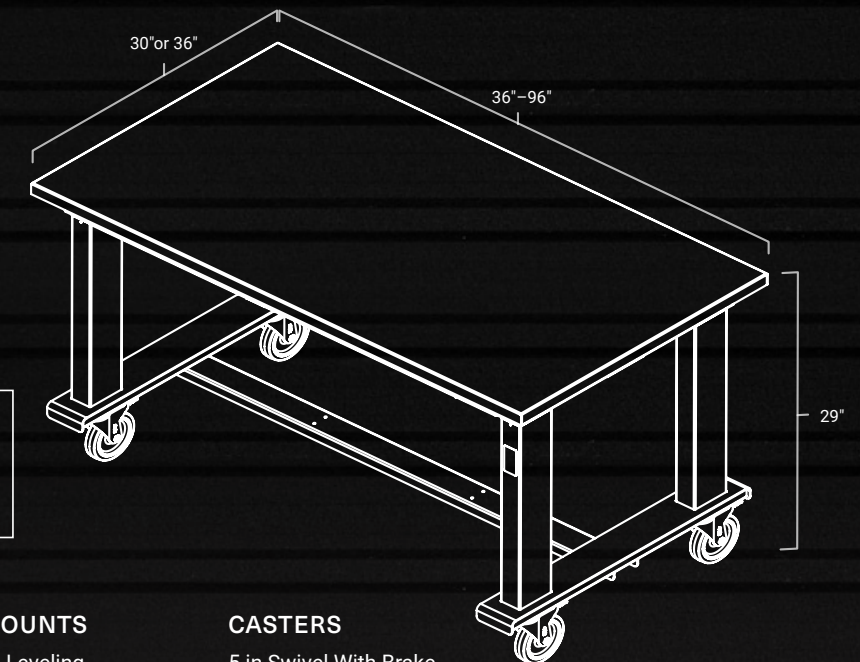
## STABILITY

Rigid cold-rolled steel construction  
Choose from anti-vibration mounts, polymounts, or 5" locking swivel casters.

## CUSTOMIZATION

Custom Sizes, Color and Branding available

## TECHNICAL



### POLYMOUNTS

Leveling  
Bolt-Down Capable  
3 in Diameter  
3/8-16 Thread  
800 lbs Capacity Each

### MIGHTY MOUNTS

Anti-Vibration, Leveling  
3 in Diameter  
3/8-16 Thread  
8Hz Natural Frequency  
700 lbs Capacity Each

### CASTERS

5 in Swivel With Brake  
*(Rigid Casters Optional)*  
Polyurethane -  
Shore A 80 Durometer  
1100 lbs Capacity Each



No Lightframe

With Lightframe

## ELECTRICAL SPECS

Power Supply 120VAC 10% / 60Hz  
Standby Power Consumption < 0.3 Watts  
Operating Temperature 0-35° C  
Protection Class IP20  
Maximum Power Output 216VA/24V

### 4 Column System with 2 Control Boxes:

Maximum Lift Capacity 400LBS (181.4kg / 1779N)  
Adj. Range 18IN  
Maximum Input Current 5A  
Maximum Duty Cycle 10% (2 MIN ON / 18 MIN OFF)

# HEAVY-DUTY WORKSTATIONS

Workbench 1000 Series

## UPPER ADD ONS (requires lightframe)

- LED Light
- Fan Kit
- Pegboard Kit
- Whiteboard Kit
- Whiteboard/Pegboard Kit
- Tool Trolley  
available with Tool Balancer
- Roll Holder
- Upper Flow Rack Shelf
- Tool Bin Bracket
- Upper Shelf (12" or 24")
- Paper Tray
- Parts Bin
- Small PC Hanger
- Monitor Mount
- Basic Monitor Arm
- Ergo Arm  
Tray
- Single Monitor
- Dual Monitor
- Monitor/Keyboard
- Keyboard Only
- Tool Bins

## OTHER ADD ONS (lightframe not required)

- Drawer Kits  
Large, Small or Combo
- Lower Shelf
- Lower Pegboard
- PC Tower Hanger
- Power Strip



Shown with Lightframe, Pegboard, Fan Kit, and Tool Bin Ergo Arm

## LIFT CAPACITY

1000 lbs

## STANDARD SIZES

Starting height: 32.5" | 36.5"  
Widths: 48"-72" (12" increments)  
Depths: 30" | 36"

## ADJUSTMENT

12" or 16" vertical adjustment  
at .25" per second  
Actuators provide heavy-duty lift power  
Available with electric  
height-adjustment only  
Simple or programmable control switch

## STANDARD COLORS

VOC-free powder coating

- RAL 9003 - Signal White
- RAL 7037 - Dusty Grey
- OB07 - Matte Black

## STABILITY

Rigid cold-rolled steel construction  
Anti-vibration mounts  
with 6" retractable casters

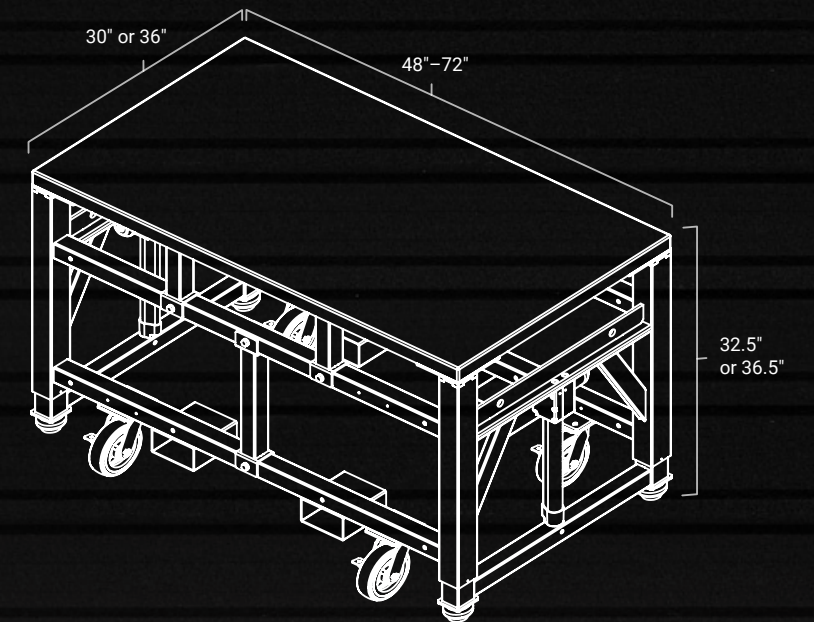
## STANDARD SURFACES

- Butcher Block
  - HPL Black
  - HPL White
- electrostatic discharge (ESD) options

## CUSTOMIZATION

Custom Sizes, Color  
and Branding available

## TECHNICAL



### MIGHTY MOUNTS

Anti-Vibration, Leveling  
3 in Diameter  
3/8-16 Thread  
8Hz Natural Frequency  
700 lbs Capacity Each

### CASTERS

6 in Swivel With Brake  
(Rigid Casters Optional)  
Polyurethane -  
Shore A 80 Durometer  
1100 lbs Capacity Each

### ACTUATORS

Custom Designed 12 in or 16 in  
Linear Actuators (Bolt-On)  
IP66 Rated  
Speed - 6.3 mm/Second  
(1/4 in/Second) @ Zero Load  
3.5 mm/Second  
(9/64 in/Second) @ Max Load  
1000 lbs Maximum Weight Capacity  
(Evenly Distributed)  
Mechanical Brake Spindle Nut For  
Redundant Protection



No Lightframe

With Lightframe

## ELECTRICAL SPECS

Power Supply 120VAC 10% / 60Hz  
Standby Power Consumption < 0.3 Watts  
Operating Temperature 0-35° C  
Protection Class IP20  
Maximum Power Output 216VA/24V

### 2 Actuator System with 1 Control Box:

Maximum Lift Capacity 1000LBS (544kg / 5338N)  
Adj. Range 12IN  
Maximum Input Current 5A  
Maximum Duty Cycle 10% (2 MIN ON / 18 MIN OFF)

# HEAVY-DUTY WORKSTATIONS

Workbench 3000 Series

## UPPER ADD ONS (requires lightframe)

- |                                              |                   |
|----------------------------------------------|-------------------|
| LED Light                                    | Paper Tray        |
| Fan Kit                                      | Parts Bin         |
| Pegboard Kit                                 | Small PC Hanger   |
| Whiteboard Kit                               | Monitor Mount     |
| Whiteboard/Pegboard Kit                      | Basic Monitor Arm |
| Tool Trolley<br>available with Tool Balancer | Ergo Arm          |
| Roll Holder                                  | Tray              |
| Upper Flow Rack Shelf                        | Single Monitor    |
| Tool Bin Bracket                             | Dual Monitor      |
| Upper Shelf (12" or 24")                     | Monitor/Keyboard  |
|                                              | Keyboard Only     |
|                                              | Tool Bins         |

## OTHER ADD ONS (lightframe not required)

- |                                      |                 |
|--------------------------------------|-----------------|
| Drawer Kits<br>Large, Small or Combo | PC Tower Hanger |
| Lower Shelf                          | Power Strip     |
| Lower Pegboard                       |                 |



Shown with Lightframe, Tool Trolley + Balancer, Monitor Mount, Fan Kit, and Parts Bin

## LIFT CAPACITY

3000 lbs

## STANDARD SIZES

Starting height: 32.5" | 36.5"  
Widths: 48" | 60" | 72"  
Depths: 30" | 36"

## ADJUSTMENT

12" or 16" vertical adjustment  
at .25" per second

Actuators provide heavy-duty lift power

Available with electric  
height-adjustment only

Simple or programmable control switch

## STANDARD COLORS

VOC-free powder coating

- RAL 9003 - Signal White
- RAL 7037 - Dusty Grey
- OB07 - Matte Black

## STABILITY

Rigid cold-rolled steel construction  
Anti-vibration mounts or bolt-to-floor  
mounts with 6" retractable casters

## STANDARD SURFACES

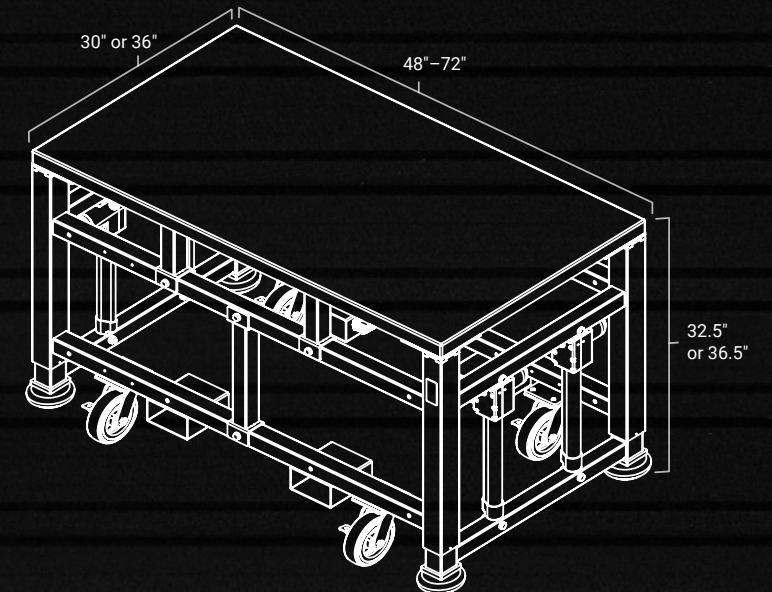
- Butcher Block
- HPL Black
- HPL White

electrostatic discharge (ESD) options

## CUSTOMIZATION

Custom Sizes, Color  
and Branding available

## TECHNICAL



### ANCHORED MOUNTS

4 in x 5.5 in Tear-Drop Shape  
9/16 in Anchor Hole  
5/8-11 Thread  
7.5° Range Of Motion  
Ball-and-Socket Swivel  
8 in Stud Length  
6000 lbs Capacity Each

### MIGHTY MOUNTS

Anti-Vibration, Leveling  
5 in Diameter  
5/8-11 Thread  
8Hz Natural Frequency  
2000 lbs Capacity Each

### CASTERS

6 in Swivel With Brake  
(Rigid Casters Optional)  
Polyurethane -  
Shore A 80 Durometer  
1100 lbs Capacity Each

### ACTUATORS

Custom Designed 12 in or 16 in  
Linear Actuators (Bolt-On)  
IP66 Rated  
Speed - 6.3 mm/Second  
(1/4 in/Second) @ Zero Load  
3.5 mm/Second  
(9/64 in/Second) @ Max Load  
3000 lbs Maximum Weight Capacity  
(Evenly Distributed)  
Mechanical Brake Spindle Nut For  
Redundant Protection



No Lightframe

With Lightframe

## ELECTRICAL SPECS

Power Supply 120VAC 10% / 60Hz  
Standby Power Consumption < 0.3 Watts  
Operating Temperature 0-35° C  
Protection Class IP20  
Maximum Power Output 216VA/24V

### 4 Actuator System with 2 Control Boxes:

Maximum Lift Capacity 3000LBS (1587kg / 15,568N)  
Adj. Range 12IN  
Maximum Input Current 5A  
Maximum Duty Cycle 10% (2 MIN ON / 18 MIN OFF)

# WORKSTATION ADD-ONS

Our add-ons allow you to configure your products to become tailored solutions specific to your needs and industry. Whether it is a packing station, a general assembly station, or something unique to your facility, BUILT's add-ons make each workstation truly your own.

## UPPER ADD-ONS

*Mounts to lightframe*

### LED LIGHT



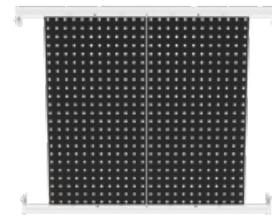
STANDARD WIDTHS  
36"-96"

### WHITEBOARD



STANDARD WIDTHS  
36"-96"

### PEGBOARD



STANDARD WIDTHS  
36"-96"

### WHITEBOARD/ PEGBOARD COMBO



STANDARD WIDTHS  
36"-96"

### FAN KIT



ONE SIZE

### TOOL TROLLEY



STANDARD WIDTHS  
36"-96"  
Shown with optional Tool Balancer

### ROLL HOLDER



STANDARD WIDTHS  
36"-96"

### FLOW RACK SHELF (24")



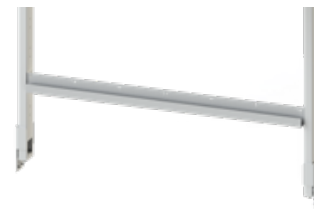
STANDARD WIDTHS  
36"-96"  
Light Duty or Heavy Duty

### UPPER SHELF (12")



STANDARD WIDTHS  
36"-96"

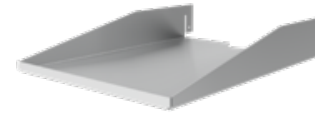
### TOOL BIN BRACKET



STANDARD WIDTHS  
36"-96"

### PAPER TRAY

*Mounts to tool bin bracket*



### PARTS BIN



STANDARD WIDTHS  
36"-96"

### BASIC MONITOR ARM

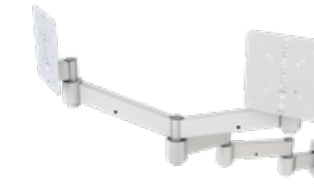


### MONITOR MOUNT



STANDARD WIDTHS  
36"-96"

### ERGO ARM: MONITOR



Single or Dual Monitor

### ERGO ARM: MONITOR/KEYBOARD



### ERGO ARM: KEYBOARD



### ERGO ARM: TOOL BINS



### ERGO ARM: TRAY



### SMALL PC HANGER

*Mounts to tool bin bracket*



## LOWER ADD-ONS

*No lightframe required*

### PC TOWER HANGER



### DRAWER



STANDARD SIZES  
Large | Small  
Large/Small Combo

### LOWER SHELF



STANDARD WIDTHS  
36"-96"

### LOWER PEGBOARD



STANDARD WIDTHS  
36"-96"

### POWER STRIP



STANDARD SIZES  
18-outlet





**BUILT SYSTEMS | WORKSTATIONS**