



**PRODUCT
GUIDE &
SPECS**

BUILT
SYSTEMS

MATERIAL HANDLING PRODUCTS

CARTS | DOLLYS | CONVEYORS



INDUSTRY MODERNIZED

BUILT Systems' solutions support a modern environment in a variety of industries. From machine bases acting as a foundation to robotic, automatic fixtures, to workbenches setting the groundwork for custom controls data tracking, to entirely tailored solutions, these are spaces for the future.

Each solution is then designed in a modular fashion to support a changing and growing facility along with the implementation of new technology. A visually appealing, sturdy design completes the cutting-edge facility.

MATERIAL HANDLING PRODUCTS

BUILT's line of Material Handling Products provide innovative, reliable ways to move parts from cell to cell in your lean manufacturing environment. Choose from a variety of carts and conveyors, or customize your own solution, to perfectly complement assembly and welding tables, workbenches, and machine bases.

Each material handling solution features ergonomics, versatility, and durability to maximize your employee wellbeing and company ROI.



MATERIAL HANDLING CART



TECHNICAL

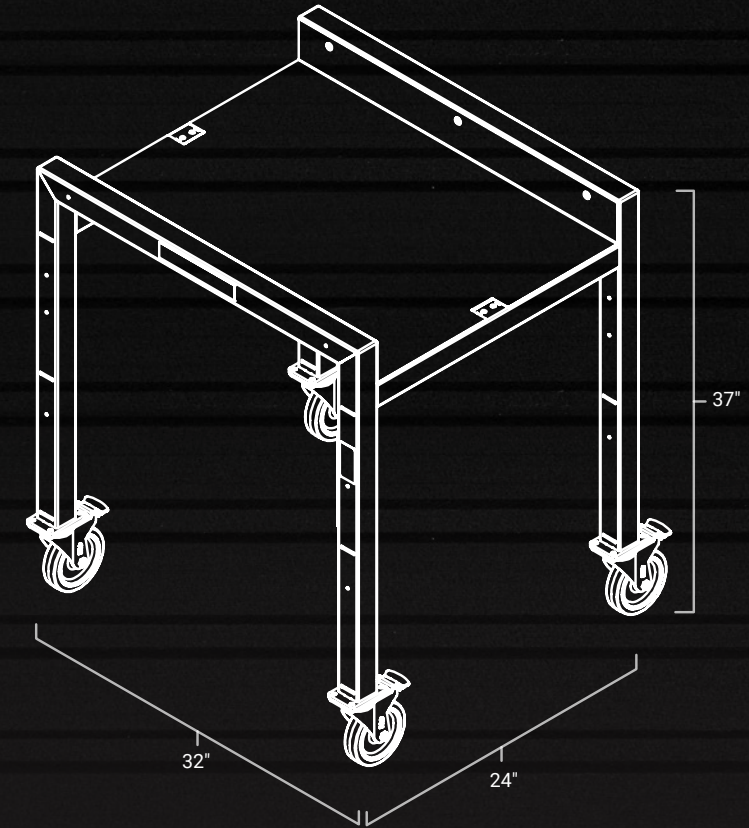


CASTERS

5 in Swivel With Brake
(Rigid Casters Optional)

Thermo Rubber

325 lbs Capacity Each



LOAD CAPACITY

500 lbs

STANDARD SIZES

Height: 37"
Widths: 32"
Length: 24"

STABILITY

Rigid cold-rolled steel construction
Heavy duty 5" locking swivel casters

STANDARD COLORS

-  RAL 9003 - Signal White
-  RAL 7037 - Dusty Grey
-  OB07 - Matte Black

CUSTOMIZATION

Custom Sizes, Color
and Branding available



MECHANICAL SPECS

Carbon Steel ASTM-A513 Construction Including:
2 in square 12 ga Tube Structure
16 ga Sheet Steel Surface

Specifications may vary based on system configuration and workload.

FLAT MATERIAL HANDLING CART



TECHNICAL

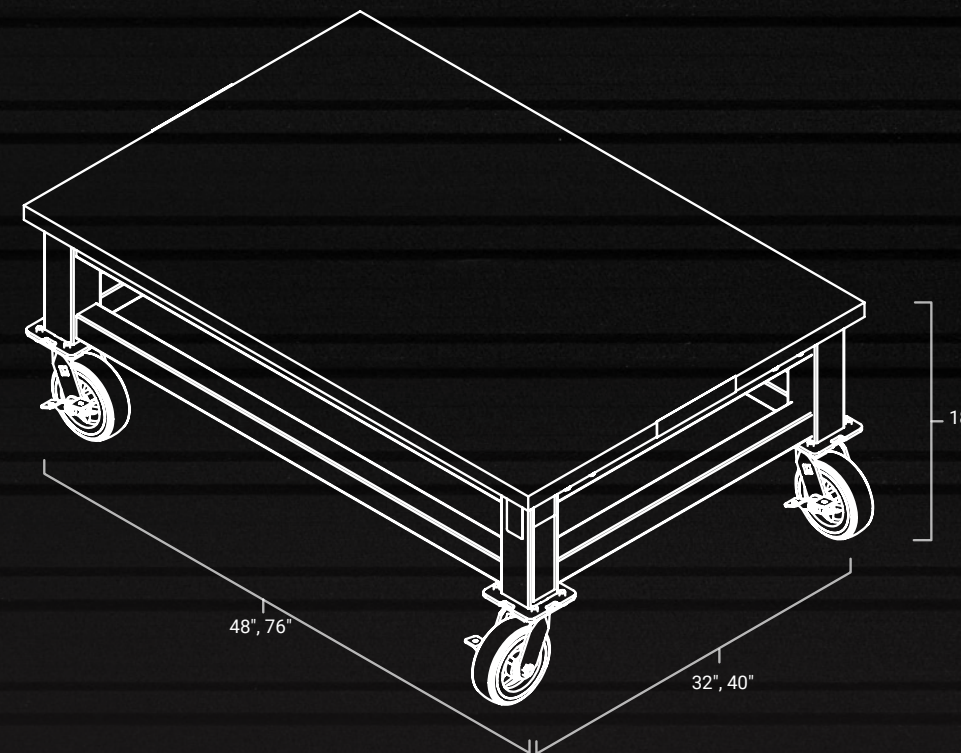


CASTERS

6 in Swivel With Brake
(Rigid Casters Optional)

Polyurethane -
Shore A 80 Durometer

1100 lbs Capacity Each



LOAD CAPACITY

500 lbs

STANDARD SIZES

Height: 18"
Widths: 32" | 40"
Lengths: 48" | 76"

STABILITY

Rigid cold-rolled steel construction
Heavy duty 6" locking swivel casters

STANDARD COLORS

- RAL 9003 - Signal White
- RAL 7037 - Dusty Grey
- OB07 - Matte Black

STANDARD SURFACES

- Butcher Block
 - HPL Black
 - HPL White
- electrostatic discharge (ESD) options

CUSTOMIZATION

Custom Sizes, Color
and Branding available



MECHANICAL SPECS

Carbon Steel ASTM-A513 Construction Including:
2 in square 12 ga Support Tubes
70mm x 70mm 14ga Columns

FLOW RACK CART



LOAD CAPACITY

250 lbs per shelf
1250 lbs total

STANDARD SIZES

Height: 68"
36" width x 36" length
44" width x 48" length

STABILITY

Rigid cold-rolled steel construction
Heavy duty 6" locking swivel casters
Shelf angles adjustable to 3°, 6° or -3°
Adjustable conveyor rollers

STANDARD COLORS

- RAL 9003 - Signal White
- RAL 7037 - Dusty Grey
- OB07 - Matte Black

CUSTOMIZATION

Custom Sizes, Color
and Branding available

TECHNICAL

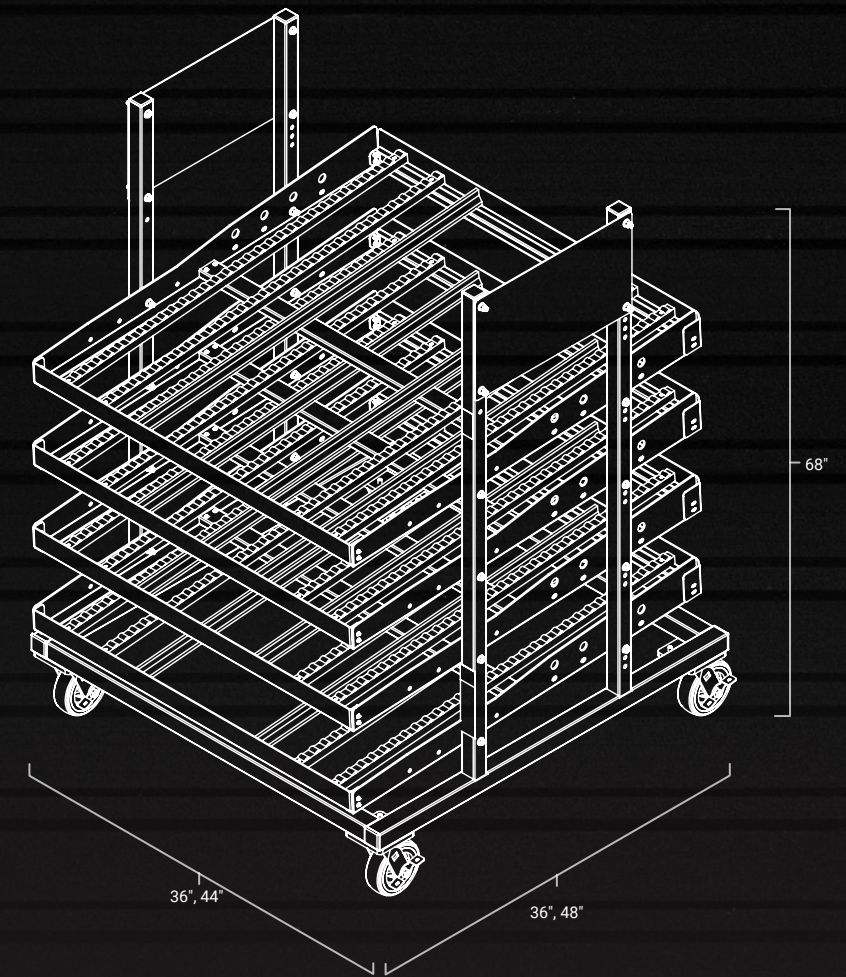


CASTERS

6 in Swivel With Brake
(Rigid Casters Optional)

Polyurethane -
Shore A 80 Durometer

1100 lbs Capacity Each



MECHANICAL SPECS

1.75 in square 14 ga vertical tubes
Lower frame - welded 2 in square 12 ga tubes
8 ga & 12 ga shelves supported by center tube
- 55 mm x 25 mm x 2 mm

Specifications may vary based on system configuration and workload.

TILT CART ELECTRIC



LOAD CAPACITY

1500 lbs

STANDARD SIZES

Width: 54"
Length: 51"

STABILITY

Rigid cold-rolled steel construction

Heavy duty 6" locking casters;
2 swivel, 2 fixed

Maximum 60 degree tilt angle

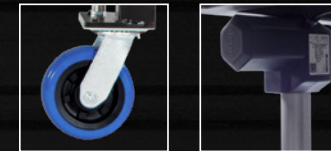
STANDARD COLORS

- RAL 9003** - Signal White
- RAL 7037** - Dusty Grey
- OB07** - Matte Black

CUSTOMIZATION

Custom Sizes, Color
and Branding available

TECHNICAL



CASTERS

6 in Swivel With Brake
(Rigid Casters Optional)

Polyurethane -
Shore A 80 Durometer

1100 lbs Capacity Each

ACTUATORS

Custom Designed 12 in or 16 in
Linear Actuators (Bolt-On)

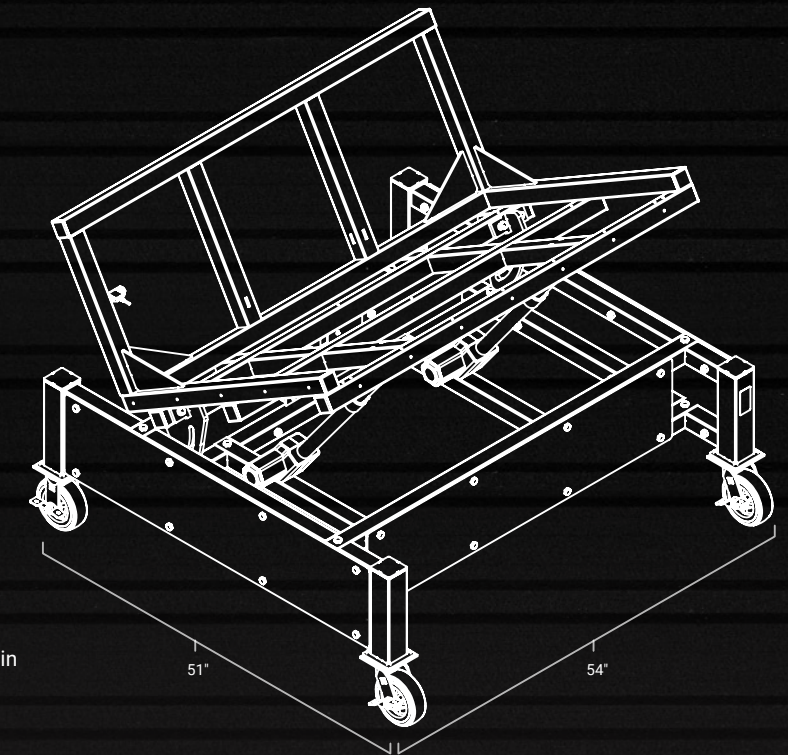
IP66 Rated

Speed - 6.3 mm/Second
(1/4 in/Second) @ Zero Load

3.5 mm/Second
(9/64 in/Second) @ Max Load

1000 lbs Maximum Weight Capacity
(Evenly Distributed)

Mechanical Brake Spindle Nut For
Redundant Protection



MECHANICAL SPECS

Carbon Steel ASTM-A513 Construction Including:

- 2 in square 12 ga Support Tubes
- 3/8 in, 8 ga, 12 ga Sheet Steel
- 70mm x 70mm 14ga Columns

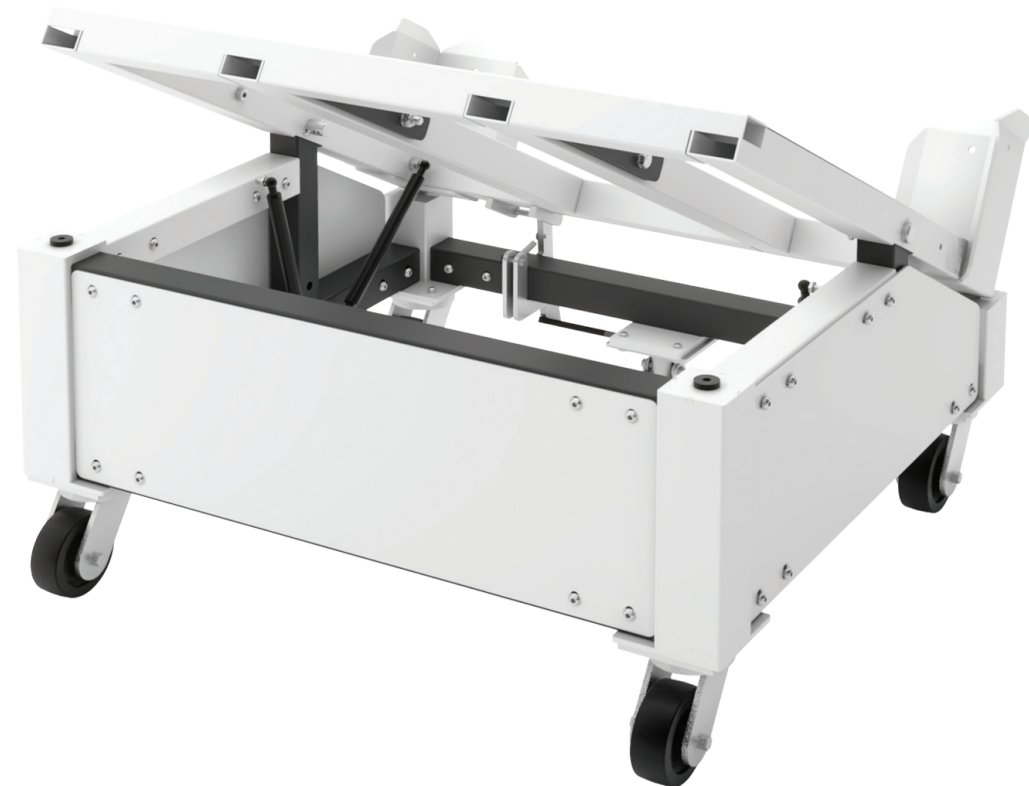
Custom designed linear actuator tilt system

ELECTRICAL SPECS

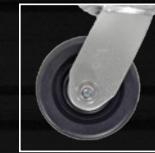
- Synchronized Control Box
- Simple "Paddle" Style Up/down Switch
- Required - 1 NEMA 5-15 Receptacle*
- Required - 120VAC, 15 Amp Circuit*
- 400 Watt Maximum Power Consumption (Under Max Load)
- Standby Power Consumption < 0.3 Watts
- Operating Temperature 0-35° C
- Control Box Rated IP20

Specifications may vary based on system configuration and workload.

TILT CART GAS-ASSIST



TECHNICAL



CASTERS

4 in Swivel
Phenolic Tread
800 lbs Capacity Each

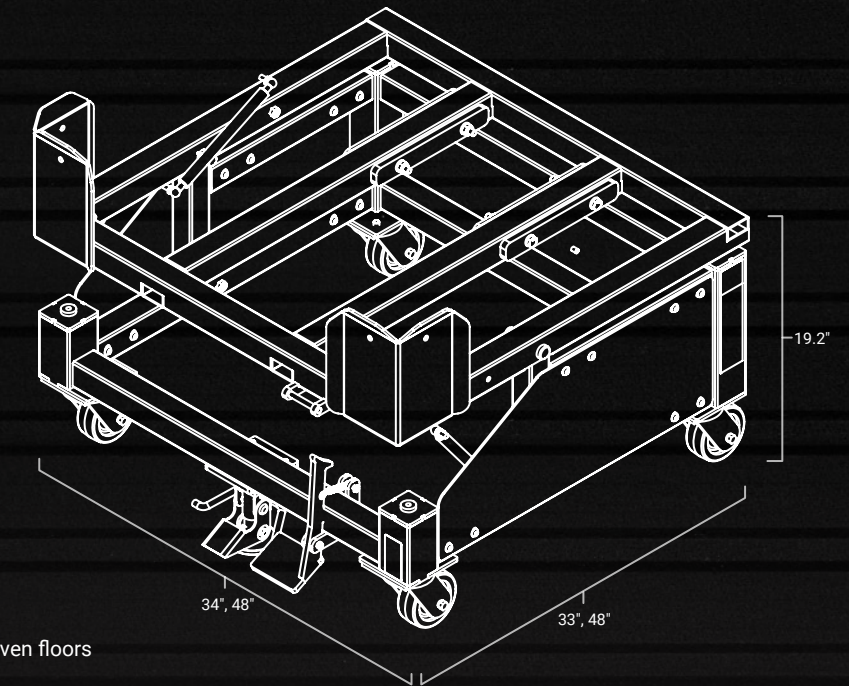


FLOOR LOCK BRAKE

Foot pedal activated
Non-slip rubber pad for uneven floors
Zinc-plated finish
High-compression spring for heavy loads

GAS SPRING

Steel Body with Black Nitride Steel Rod
Stroke - 5.47 in



LOAD CAPACITY

500 lbs

STANDARD SIZES

34" width x 33" length
48" width x 48" length

STABILITY

Rigid cold-rolled steel construction
4" swivel casters
Foot pedal-activated floor lock brake

STANDARD COLORS

 RAL 9003 - Signal White
 RAL 7037 - Dusty Grey
 OB07 - Matte Black

CUSTOMIZATION

Custom Sizes, Color
and Branding available



MECHANICAL SPECS

Carbon Steel ASTM-A513 Construction Including:
2 in x 2 in x 12 ga Tilt Frame
2 in x 2 in x 12 ga Lower Frame
1.75 in x 1.75 in x 14 ga Vertical Tubes
12 ga Side Plates
8 ga Corner Brackets

Specifications may vary based on system configuration and workload.

PALLET DOLLY

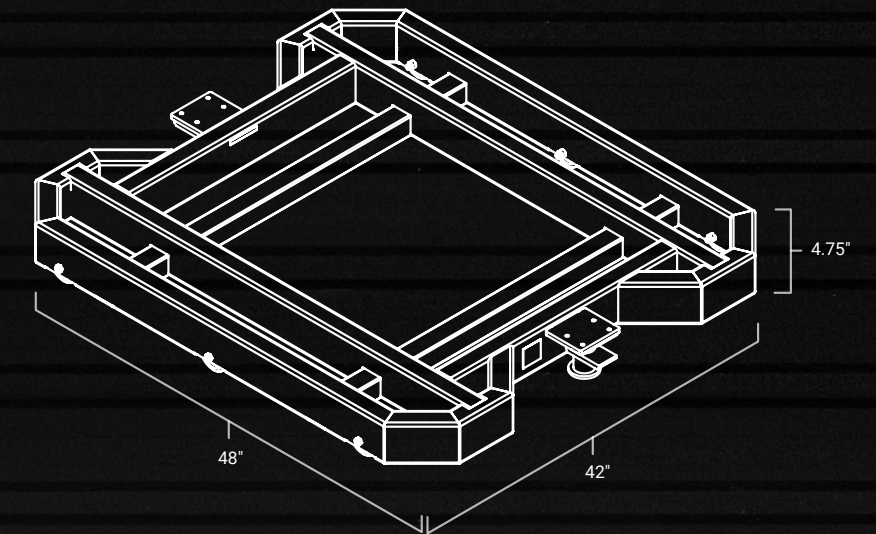


TECHNICAL



ROLLERS

- 3 in Non-Marking Rollers
- Phenolic - 90 D Durometer
- 400 lbs Capacity Each



LOAD CAPACITY

1000 lbs

STANDARD SIZES

Height: 4.75"
Width: 48"
Length: 42"

STABILITY

Rigid cold-rolled steel construction
Fully welded frame
Two 3" floor locks

STANDARD COLORS

-  RAL 9003 - Signal White
-  RAL 7037 - Dusty Grey
-  OB07 - Matte Black

CUSTOMIZATION

Custom Sizes, Color
and Branding available

MECHANICAL SPECS

Carbon Steel ASTM-A513 Construction Including:
2 in x 4 in 11 ga Outer Tubes
2 in square 12 ga Inner Tubes



Specifications may vary based on system configuration and workload.

CONVEYOR

ELECTRIC HEIGHT ADJUSTABLE
LIGHT-DUTY



LOAD CAPACITY

150 lbs




STANDARD SIZES

Starting height: 30" (18" stroke)
Depths: 18" | 32"
Lengths: 60" | 72" | 84"

STABILITY

Rigid cold-rolled steel construction
Heavy-duty 3/8" mounting plates

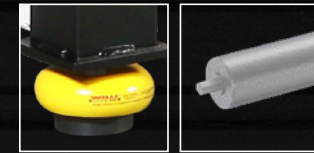
STANDARD COLORS

-  RAL 9003 - Signal White
-  RAL 7037 - Dusty Grey
-  OB07 - Matte Black

CUSTOMIZATION

Custom Sizes, Color
and Branding available

TECHNICAL

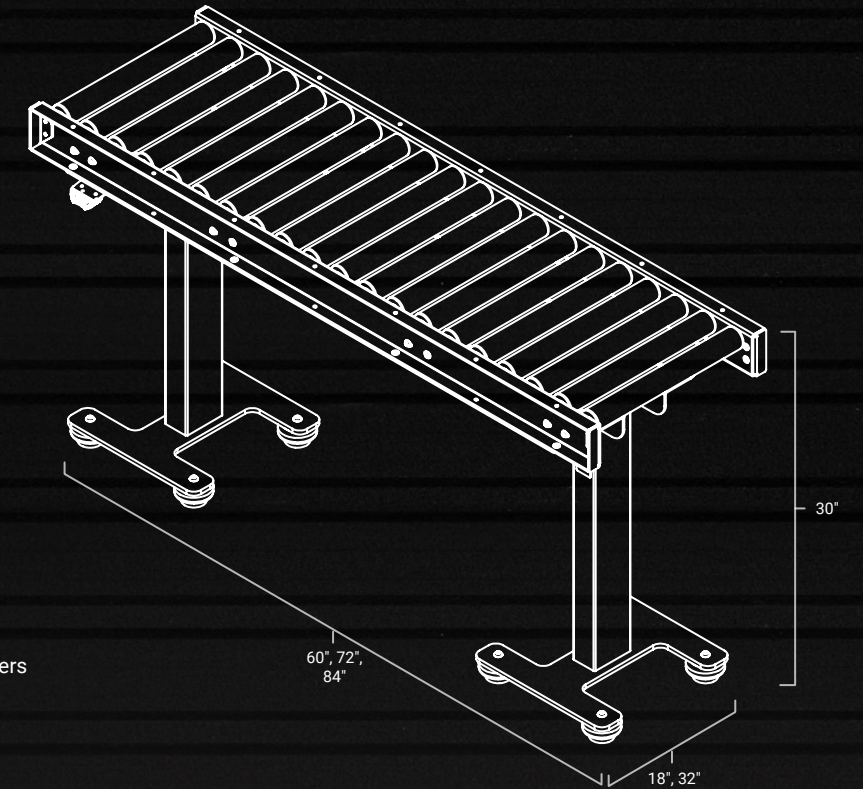


MIGHTY MOUNTS

Anti-Vibration, Leveling
3 in Diameter
3/8-16 Thread
8Hz Natural Frequency
700 lbs Capacity Each

ROLLERS

Galvanized Steel Rollers
1.9 in diameter



MECHANICAL SPECS

Carbon Steel ASTM-A513 Construction Including:
8 ga Depth Tubes
8 ga Conveyor
Vertical Telescoping Welded Frame with our
Patented Glide System, Custom Fit During Assembly

Custom conveyor rollers
Spring-Loaded Axle
Zinc-Plated Steel Ball Bearings



Specifications may vary based on system configuration and workload.

HD CONVEYOR

ELECTRIC HEIGHT ADJUSTABLE
HEAVY-DUTY



LOAD CAPACITY

1200 lbs

STANDARD SIZES

Starting height: 34.6" (12" stroke)
Depths: 30" | 36"
Lengths: 84"

STABILITY

Rigid cold-rolled steel construction
6" swivel casters
Removeable lower cross tubes
Fully welded frame

STANDARD COLORS

 **RAL 9003** - Signal White
 **RAL 7037** - Dusty Grey
 **OB07** - Matte Black

CUSTOMIZATION

Custom Sizes, Color
and Branding available

TECHNICAL



CASTERS

6 in Swivel With Brake
(Rigid Casters Optional)

Polyurethane -
Shore A 80 Durometer
1100 lbs Capacity Each

ROLLERS

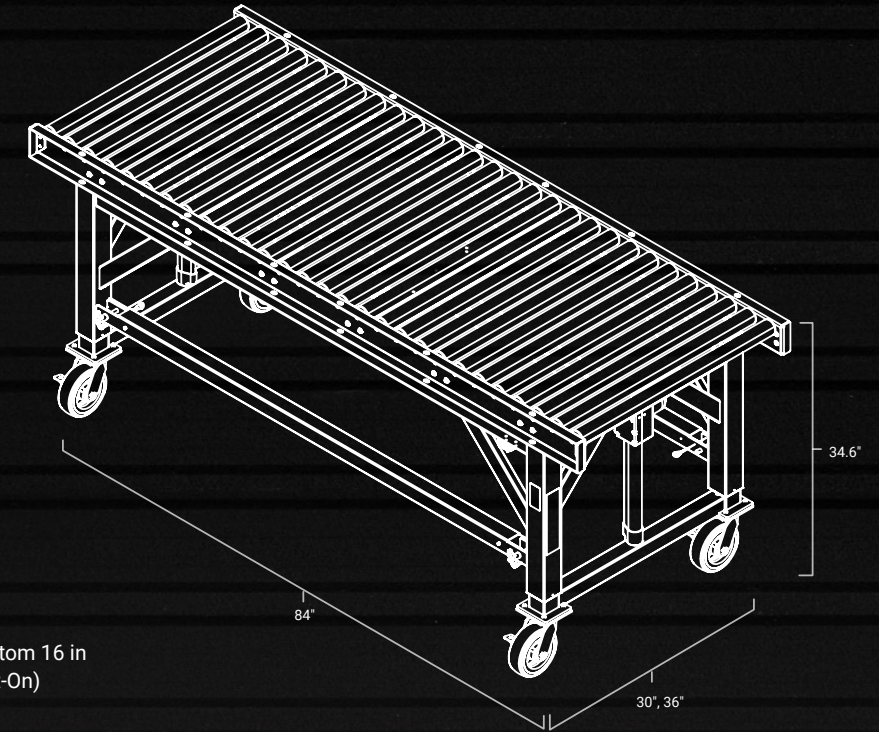
Galvanized Steel Rollers
1.9 in diameter

ACTUATORS

Standard 12 in or Custom 16 in
Linear Actuators (Bolt-On)

IP66 Rated
Speed - 6.3 mm/Second
(1/4 in/Second) @ Zero Load
3.5 mm/Second
(9/64 in/Second) @ Max Load

1000 lbs Maximum Weight Capacity
(Evenly Distributed)
Mechanical Brake Spindle Nut For
Redundant Protection



MECHANICAL SPECS

Carbon Steel (ASTM-A513) Construction including:
3 in x 2 in 11 ga Depth Tubes
2 in Square 12 ga Lower Tubes
8 ga MIG Welded Modular Brackets - M8 Tapped Holes
70 mm Square Vertical Telescoping Columns
Patented Telescoping Glide System
Custom Fit For Each Column During Assembly
1/2 in Thick Column Top Mount Pads
Column Centered M10 Tapped Holes
3/8 in Thick MIG Welded M10 Tapped Caster Plates
6 in x 3 in x 1/8 in MIG Welded Fork Tube Targets

Specifications may vary based on system configuration and workload.



BUILT SYSTEMS | MATERIAL HANDLING PRODUCTS